

FEATURES

- Wide input voltage range: 4.5 V to 15 V
- ±1.5% output accuracy over full temperature range
- 250 kHz to 1.4 MHz adjustable switching frequency
- Adjustable/fix output options via factory fuse
- Power regulation
 - Channel 1 and Channel 2: programmable 1.2 A/2.5 A/4 A sync buck regulators with low-side FET driver
 - Channel 3 and Channel 4: 1.2 A sync buck regulators
 - Channel 5: 200 mA low dropout (LDO) regulator
- Always alive 5.1 V LDO supply for tiny load demand
- Single 8 A output (Channel 1 and Channel 2 operated in parallel)
- Precision enable with 0.8 V accurate threshold
- Active output discharge switch
- FPWM or automatic PWM/PSM mode selection
- Frequency synchronization input or output
- Optional latch-off protection on OVP/OCP failure
- Power-good flag on selected channels
- UVLO, OCP, and TSD protection
- 48-lead, 7 mm × 7 mm LFCSP package
- −40°C to +125°C junction temperature

APPLICATIONS

- Small cell base stations
- FPGA and processor applications
- Security and surveillance
- Medical applications

GENERAL DESCRIPTION

The [ADP5052](#) combines four high performance buck regulators and one 200 mA low dropout (LDO) regulator in a 48-lead LFCSP package that meets demanding performance and board space requirements. The device enables direct connection to high input voltages up to 15 V with no preregulators.

Channel 1 and Channel 2 integrate high-side power MOSFETs and low-side MOSFET drivers. External NFETs can be used in low-side power devices to achieve an efficiency optimized solution and deliver a programmable output current of 1.2 A, 2.5 A, or 4 A. Combining Channel 1 and Channel 2 in a parallel configuration can provide a single output with up to 8 A of current.

TYPICAL APPLICATION CIRCUIT

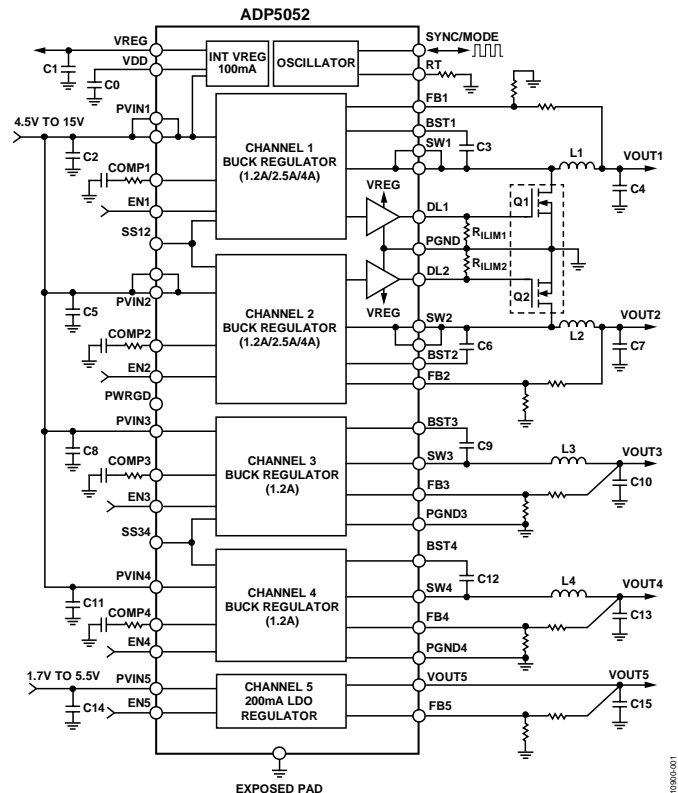


Figure 1.

Channel 3 and Channel 4 integrate both high-side and low-side MOSFETs to deliver output current of 1.2 A.

The switching frequency of the [ADP5052](#) can be programmed or synchronized to an external clock. The [ADP5052](#) contains a precision enable pin on each channel for easy power-up sequencing or adjustable UVLO threshold.

The [ADP5052](#) integrates a general-purpose LDO regulator with low quiescent current and low dropout voltage that provides up to 200 mA of output current.

TABLE OF CONTENTS

Features	1	Thermal Shutdown	22
Applications.....	1	LDO Regulator	22
Typical Application Circuit	1	Applications Information	23
General Description	1	ADIsimPower Design Tool	23
Revision History	2	Programming the Adjustable Output Voltage.....	23
Detailed Functional Block Diagram	3	Voltage Conversion Limitations.....	23
Specifications.....	4	Current-Limit Setting.....	23
Buck Regulator Specifications	5	Soft Start Setting.....	24
LDO Regulator Specifications	7	Inductor Selection	24
Absolute Maximum Ratings.....	8	Output Capacitor Selection.....	24
Thermal Resistance	8	Input Capacitor Selection.....	25
ESD Caution.....	8	Low-Side Power Device Selection.....	25
Pin Configuration and Function Descriptions.....	9	Programming the UVLO Input.....	25
Typical Performance Characteristics	11	Compensation Components Design	26
Theory of Operation	17	Power Dissipation.....	26
Buck Regulator Operational Modes.....	17	Junction Temperature	27
Adjustable and Fixed Output Voltages	17	Design Example	28
Internal Regulators (VREG and VDD)	17	Setting the Switching Frequency	28
Separate Supply Applications.....	18	Setting the Output Voltage.....	28
Low-Side Device Selection	18	Setting the Current Limit	28
Bootstrap Circuitry	18	Selecting the Inductor.....	28
Active Output Discharge Switch	18	Selecting the Output Capacitor	29
Precision Enabling.....	18	Selecting the Low-Side MOSFET	29
Oscillator	18	Designing the Compensation Network.....	29
Synchronization Input/Output	19	Selecting the Soft Start Time.....	29
Soft Start	19	Selecting the Input Capacitor	29
Parallel Operation.....	20	Recommended External Components	30
Startup with Precharged Output	20	Circuit Board Layout Recommendations	31
Current-Limit Protection	20	Typical Application Circuits	32
Frequency Foldback	21	Factory Programmable Options.....	35
Hiccup Protection	21	Factory Default Options.....	37
Latch-Off Protection.....	21	Outline Dimensions	38
Undervoltage Lockout (UVLO)	22	Ordering Guide	38
Power-Good Function	22		

REVISION HISTORY

5/13—Revision 0: Initial Version

DETAILED FUNCTIONAL BLOCK DIAGRAM

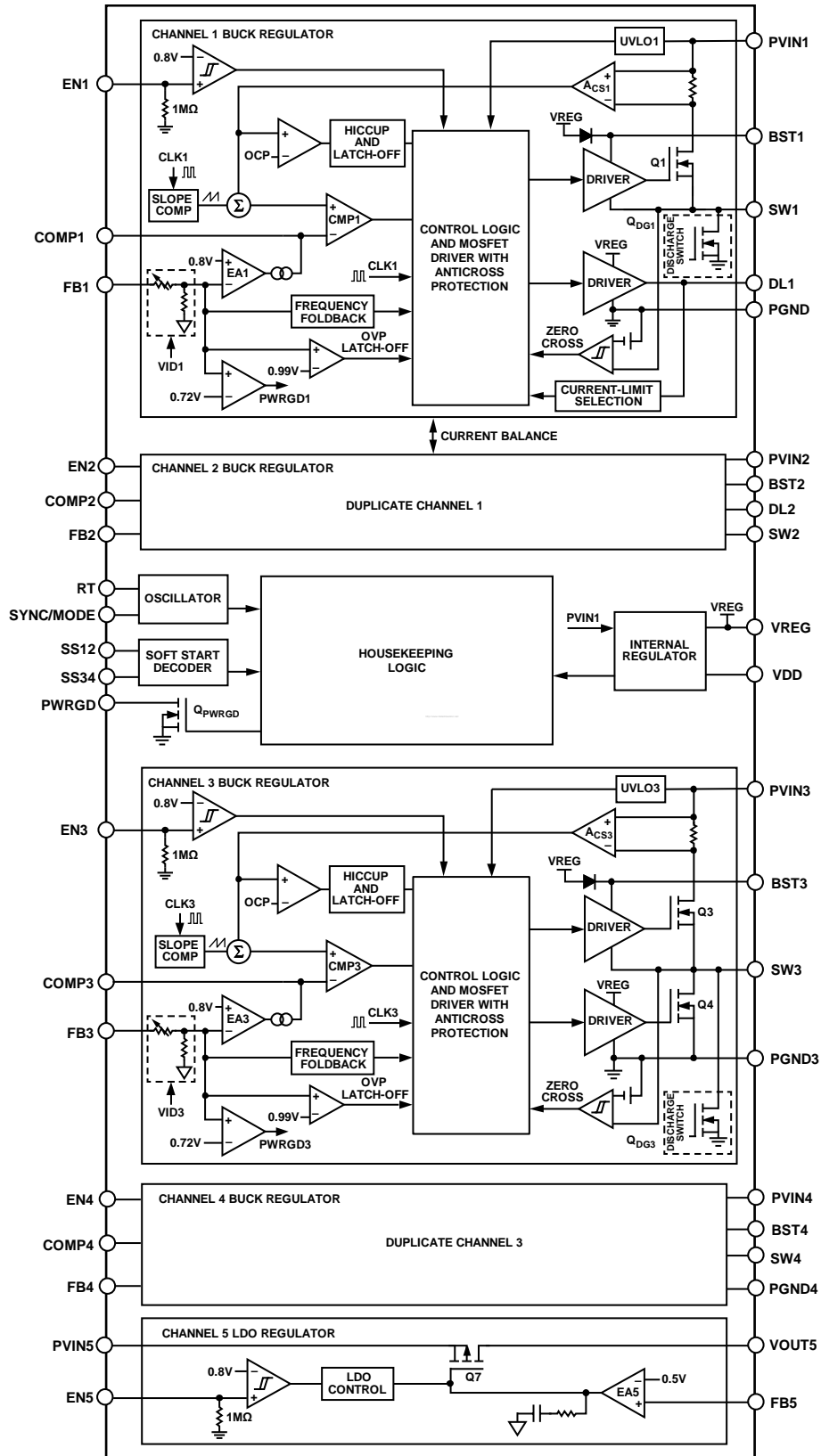


Figure 2.

SPECIFICATIONS

$V_{IN} = 12\text{ V}$, $V_{VREG} = 5.1\text{ V}$, $T_J = -40^\circ\text{C}$ to $+125^\circ\text{C}$ for minimum and maximum specifications, and $T_A = 25^\circ\text{C}$ for typical specifications, unless otherwise noted.

Table 1.

Parameter	Symbol	Min	Typ	Max	Unit	Test Conditions/Comments
INPUT SUPPLY VOLTAGE RANGE	V_{IN}	4.5		15.0	V	PVIN1, PVIN2, PVIN3, PVIN4 pins
QUIESCENT CURRENT						PVIN1, PVIN2, PVIN3, PVIN4 pins
Operating Quiescent Current	$I_{Q(4-BUCKS)}$		4.8	6.25	mA	No switching, all ENx pins high
	$I_{SHDN(4BUCKS+LDO)}$		25	65	μA	All ENx pins low
UNDERVOLTAGE LOCKOUT	UVLO					PVIN1, PVIN2, PVIN3, PVIN4 pins
Rising Threshold	$V_{UVLO-RISING}$		4.2	4.36	V	
Falling Threshold	$V_{UVLO-FALLING}$	3.6	3.78		V	
Hysteresis	V_{HYS}		0.42		V	
OSCILLATOR CIRCUIT						
Switching Frequency	f_{SW}	700	740	780	kHz	RT = 25.5 k Ω
Switching Frequency Range		250		1400	kHz	
SYNC Input						
Input Clock Range	f_{SYNC}	250		1400	kHz	
Input Clock Pulse Width						
Minimum On Time	$t_{SYNC_MIN_ON}$	100			ns	
Minimum Off Time	$t_{SYNC_MIN_OFF}$	100			ns	
Input Clock High Voltage	$V_{H(SYNC)}$	1.3			V	
Input Clock Low Voltage	$V_{L(SYNC)}$			0.4	V	
SYNC Output						
Clock Frequency	f_{CLK}		f_{SW}		kHz	
Positive Pulse Duty Cycle	$t_{CLK_PULSE_DUTY}$		50		%	
Rise or Fall Time	$t_{CLK_RISE_FALL}$		10		ns	
High Level Voltage	$V_{H(SYNC_OUT)}$		V_{VREG}		V	
PRECISION ENABLING						EN1, EN2, EN3, EN4, EN5 pins
High Level Threshold	$V_{TH_H(EN)}$		0.806	0.832	V	
Low Level Threshold	$V_{TH_L(EN)}$	0.688	0.725		V	
Pull-Down Resistor	$R_{PULL-DOWN(EN)}$		1.0		M Ω	
POWER GOOD						
Internal Power-Good Rising Threshold	$V_{PWRGD(RISE)}$	86.3	90.5	95	%	
Internal Power-Good Hysteresis	$V_{PWRGD(HYS)}$		3.3		%	
Internal Power-Good Falling Delay	t_{PWRGD_FALL}		50		μs	
Rising Delay for PWRGD Pin	$t_{PWRGD_PIN_RISE}$		1		ms	
Leakage Current for PWRGD Pin	$I_{PWRGD_LEAKAGE}$		0.1	1	μA	
Output Low Voltage for PWRGD Pin	V_{PWRGD_LOW}		50	100	mV	$I_{PWRGD} = 1\text{ mA}$
INTERNAL REGULATORS						
VDD Output Voltage	V_{VDD}	3.2	3.305	3.4	V	$I_{VDD} = 10\text{ mA}$
VDD Current Limit	I_{LIM_VDD}	20	51	80	mA	
VREG Output Voltage	V_{VREG}	4.9	5.1	5.3	V	
VREG Dropout Voltage	$V_{DROPOUT}$		225		mV	$I_{VREG} = 50\text{ mA}$
VREG Current Limit	I_{LIM_VREG}	50	95	140	mA	
THERMAL SHUTDOWN						
Thermal Shutdown Threshold	T_{SHDN}		150		$^\circ\text{C}$	
Thermal Shutdown Hysteresis	T_{HYS}		15		$^\circ\text{C}$	

BUCK REGULATOR SPECIFICATIONS

$V_{IN} = 12\text{ V}$, $V_{VREG} = 5.1\text{ V}$, $f_{SW} = 600\text{ kHz}$ for all channels, $T_J = -40^\circ\text{C}$ to $+125^\circ\text{C}$ for minimum and maximum specifications, and $T_A = 25^\circ\text{C}$ for typical specifications, unless otherwise noted.

Table 2.

Parameter	Symbol	Min	Typ	Max	Unit	Test Conditions/Comments
CHANNEL 1 SYNC BUCK REGULATOR						
FB1 Pin						
Fixed Output Options	V_{OUT1}	0.85		1.60	V	Fuse trim
Adjustable Feedback Voltage	V_{FB1}		0.800		V	
Feedback Voltage Accuracy	$V_{FB1(DEFAULT)}$	-0.55		+0.55	%	$T_J = 25^\circ\text{C}$
		-1.25		+1.0	%	$0^\circ\text{C} \leq T_J \leq 85^\circ\text{C}$
		-1.5		+1.5	%	$-40^\circ\text{C} \leq T_J \leq +125^\circ\text{C}$
Feedback Bias Current	I_{FB1}			0.1	μA	Adjustable voltage
SW1 Pin						
High-Side Power FET On Resistance	$R_{DSON(1H)}$		100		$\text{m}\Omega$	Pin-to-pin measurement
Current-Limit Threshold	$I_{TH(ILIM1)}$	3.50	4.4	5.28	A	$R_{ILIM1} = \text{floating}$
		1.91	2.63	3.08	A	$R_{ILIM1} = 47\text{ k}\Omega$
		4.95	6.44	7.48	A	$R_{ILIM1} = 22\text{ k}\Omega$
Minimum On Time	t_{MIN_ON1}		117	155	ns	$f_{SW} = 250\text{ kHz}$ to 1.4 MHz
Minimum Off Time	t_{MIN_OFF1}		$1/9 \times t_{SW}$		ns	$f_{SW} = 250\text{ kHz}$ to 1.4 MHz
Low-Side Driver, DL1 Pin						
Rising Time	$t_{RISING1}$		20		ns	$C_{ISS} = 1.2\text{ nF}$
Falling Time	$t_{FALLING1}$		3.4		ns	$C_{ISS} = 1.2\text{ nF}$
Sourcing Resistor	$t_{SOURCING1}$		10		Ω	
Sinking Resistor	$t_{SINKING1}$		0.95		Ω	
Error Amplifier (EA), COMP1 Pin						
EA Transconductance	g_{m1}	310	470	620	μS	
Soft Start						
Soft Start Time	t_{SS1}		2.0		ms	SS12 connected to VREG
Programmable Soft Start Range		2.0		8.0	ms	
Hiccup Time	$t_{HICCUPI}$		$7 \times t_{SS1}$		ms	
C_{OUT} Discharge Switch On Resistance	R_{DIS1}		250		Ω	
CHANNEL 2 SYNC BUCK REGULATOR						
FB2 Pin						
Fixed Output Options	V_{OUT2}	3.3		5.0	V	Fuse trim
Adjustable Feedback Voltage	V_{FB2}		0.800		V	
Feedback Voltage Accuracy	$V_{FB2(DEFAULT)}$	-0.55		+0.55	%	$T_J = 25^\circ\text{C}$
		-1.25		+1.0	%	$0^\circ\text{C} \leq T_J \leq 85^\circ\text{C}$
		-1.5		+1.5	%	$-40^\circ\text{C} \leq T_J \leq +125^\circ\text{C}$
Feedback Bias Current	I_{FB2}			0.1	μA	Adjustable voltage
SW2 Pin						
High-Side Power FET On Resistance	$R_{DSON(2H)}$		110		$\text{m}\Omega$	Pin-to-pin measurement
Current-Limit Threshold	$I_{TH(ILIM2)}$	3.50	4.4	5.28	A	$R_{ILIM2} = \text{floating}$
		1.91	2.63	3.08	A	$R_{ILIM2} = 47\text{ k}\Omega$
		4.95	6.44	7.48	A	$R_{ILIM2} = 22\text{ k}\Omega$
Minimum On Time	t_{MIN_ON2}		117	155	ns	$f_{SW} = 250\text{ kHz}$ to 1.4 MHz
Minimum Off Time	t_{MIN_OFF2}		$1/9 \times t_{SW}$		ns	$f_{SW} = 250\text{ kHz}$ to 1.4 MHz
Low-Side Driver, DL2 Pin						
Rising Time	$t_{RISING2}$		20		ns	$C_{ISS} = 1.2\text{ nF}$
Falling Time	$t_{FALLING2}$		3.4		ns	$C_{ISS} = 1.2\text{ nF}$
Sourcing Resistor	$t_{SOURCING2}$		10		Ω	
Sinking Resistor	$t_{SINKING2}$		0.95		Ω	

Parameter	Symbol	Min	Typ	Max	Unit	Test Conditions/Comments
Error Amplifier (EA), COMP2 Pin						
EA Transconductance	g_{m2}	310	470	620	μS	
Soft Start						
Soft Start Time	t_{SS2}		2.0		ms	SS12 connected to VREG
Programmable Soft Start Range		2.0		8.0	ms	
Hiccup Time	$t_{HICCUP2}$		$7 \times t_{SS2}$		ms	
C_{OUT} Discharge Switch On Resistance	R_{DIS2}		250		Ω	
CHANNEL 3 SYNC BUCK REGULATOR						
FB3 Pin						
Fixed Output Options	V_{OUT3}	1.20		1.80	V	Fuse trim
Adjustable Feedback Voltage	V_{FB3}		0.800		V	
Feedback Voltage Accuracy	$V_{FB3(DEFAULT)}$	-0.55		+0.55	%	$T_J = 25^\circ\text{C}$
		-1.25		+1.0	%	$0^\circ\text{C} \leq T_J \leq 85^\circ\text{C}$
		-1.5		+1.5	%	$-40^\circ\text{C} \leq T_J \leq +125^\circ\text{C}$
Feedback Bias Current	I_{FB3}			0.1	μA	Adjustable voltage
SW3 Pin						
High-Side Power FET On Resistance	$R_{DSON(3H)}$		225		$\text{m}\Omega$	Pin-to-pin measurement
Low-Side Power FET On Resistance	$R_{DSON(3L)}$		150		$\text{m}\Omega$	Pin-to-pin measurement
Current-Limit Threshold	$I_{TH(ILIM3)}$	1.7	2.2	2.55	A	
Minimum On Time	t_{MIN_ON3}		90	120	ns	$f_{SW} = 250 \text{ kHz to } 1.4 \text{ MHz}$
Minimum Off Time	t_{MIN_OFF3}		$1/9 \times t_{SW}$		ns	$f_{SW} = 250 \text{ kHz to } 1.4 \text{ MHz}$
Error Amplifier (EA), COMP3 Pin						
EA Transconductance	g_{m3}	310	470	620	μS	
Soft Start						
Soft Start Time	t_{SS3}		2.0		ms	SS34 connected to VREG
Programmable Soft Start Range		2.0		8.0	ms	
Hiccup Time	$t_{HICCUP3}$		$7 \times t_{SS3}$		ms	
C_{OUT} Discharge Switch On Resistance	R_{DIS3}		250		Ω	
CHANNEL 4 SYNC BUCK REGULATOR						
FB4 Pin						
Fixed Output Options	V_{OUT4}	2.5		5.5	V	Fuse trim
Adjustable Feedback Voltage	V_{FB4}		0.800		V	
Feedback Voltage Accuracy	$V_{FB4(DEFAULT)}$	-0.55		+0.55	%	$T_J = 25^\circ\text{C}$
		-1.25		+1.0	%	$0^\circ\text{C} \leq T_J \leq 85^\circ\text{C}$
		-1.5		+1.5	%	$-40^\circ\text{C} \leq T_J \leq +125^\circ\text{C}$
Feedback Bias Current	I_{FB4}			0.1	μA	
SW4 Pin						
High-Side Power FET On Resistance	$R_{DSON(4H)}$		225		$\text{m}\Omega$	Pin-to-pin measurement
Low-Side Power FET On Resistance	$R_{DSON(4L)}$		150		$\text{m}\Omega$	Pin-to-pin measurement
Current-Limit Threshold	$I_{TH(ILIM4)}$	1.7	2.2	2.55	A	
Minimum On Time	t_{MIN_ON4}		90	120	ns	$f_{SW} = 250 \text{ kHz to } 1.4 \text{ MHz}$
Minimum Off Time	t_{MIN_OFF4}		$1/9 \times t_{SW}$		ns	$f_{SW} = 250 \text{ kHz to } 1.4 \text{ MHz}$
Error Amplifier (EA), COMP4 Pin						
EA Transconductance	g_{m4}	310	470	620	μS	
Soft Start						
Soft Start Time	t_{SS4}		2.0		ms	SS34 connected to VREG
Programmable Soft Start Range		2.0		8.0	ms	
Hiccup Time	$t_{HICCUP4}$		$7 \times t_{SS4}$		ms	
C_{OUT} Discharge Switch On Resistance	R_{DIS4}		250		Ω	

LDO REGULATOR SPECIFICATIONS

$V_{IN5} = (V_{OUT5} + 0.5 \text{ V})$ or 1.7 V (whichever is greater) to 5.5 V; $C_{IN} = C_{OUT} = 1 \mu\text{F}$; $T_J = -40^\circ\text{C}$ to $+125^\circ\text{C}$ for minimum and maximum specifications, and $T_A = 25^\circ\text{C}$ for typical specifications, unless otherwise noted.

Table 3.

Parameter	Min	Typ	Max	Unit	Test Conditions/Comments
INPUT SUPPLY VOLTAGE RANGE	1.7		5.5	V	PVIN5 pin
OPERATIONAL SUPPLY CURRENT Bias Current for LDO Regulator		30 60 145	130 170 320	μA μA μA	$I_{OUT5} = 200 \mu\text{A}$ $I_{OUT5} = 10 \text{ mA}$ $I_{OUT5} = 200 \text{ mA}$
VOLTAGE FEEDBACK (FB5 PIN) Adjustable Feedback Voltage Feedback Voltage Accuracy		0.500		V	$T_J = 25^\circ\text{C}$
	-1.0 -1.6 -2.0		+1.0 +1.6 +2.0	% % %	$0^\circ\text{C} \leq T_J \leq 85^\circ\text{C}$ $-40^\circ\text{C} \leq T_J \leq +125^\circ\text{C}$
DROPOUT VOLTAGE		80 100 180		mV mV mV	$I_{OUT5} = 200 \text{ mA}$ $V_{OUT5} = 3.3 \text{ V}$ $V_{OUT5} = 2.5 \text{ V}$ $V_{OUT5} = 1.5 \text{ V}$
CURRENT-LIMIT THRESHOLD	250	510		mA	Specified from the output voltage drop to 90% of the specified typical value
OUTPUT NOISE		92		$\mu\text{V rms}$	10 Hz to 100 kHz, $V_{PVIN5} = 5 \text{ V}$, $V_{OUT5} = 1.8 \text{ V}$
POWER SUPPLY REJECTION RATIO		77 66		dB dB	$V_{PVIN5} = 5 \text{ V}$, $V_{OUT5} = 1.8 \text{ V}$, $I_{OUT5} = 1 \text{ mA}$ 10 kHz 100 kHz

ABSOLUTE MAXIMUM RATINGS

Table 4.

Parameter	Rating
PVIN1 to PGND	−0.3 V to +18 V
PVIN2 to PGND	−0.3 V to +18 V
PVIN3 to PGND3	−0.3 V to +18 V
PVIN4 to PGND4	−0.3 V to +18 V
PVIN5 to GND	−0.3 V to +6.5 V
SW1 to PGND	−0.3 V to +18 V
SW2 to PGND	−0.3 V to +18 V
SW3 to PGND3	−0.3 V to +18 V
SW4 to PGND4	−0.3 V to +18 V
PGND to GND	−0.3 V to +0.3 V
PGND3 to GND	−0.3 V to +0.3 V
PGND4 to GND	−0.3 V to +0.3 V
BST1 to SW1	−0.3 V to +6.5 V
BST2 to SW2	−0.3 V to +6.5 V
BST3 to SW3	−0.3 V to +6.5 V
BST4 to SW4	−0.3 V to +6.5 V
DL1 to PGND	−0.3 V to +6.5 V
DL2 to PGND	−0.3 V to +6.5 V
SS12, SS34 to GND	−0.3 V to +6.5 V
EN1, EN2, EN3, EN4, EN5 to GND	−0.3 V to +6.5 V
VREG to GND	−0.3 V to +6.5 V
SYNC/MODE to GND	−0.3 V to +6.5 V
VOUT5, FB5 to GND	−0.3 V to +6.5 V
RT to GND	−0.3 V to +3.6 V
PWRGD to GND	−0.3 V to +6.5 V
FB1, FB2, FB3, FB4 to GND ¹	−0.3 V to +3.6 V
FB2 to GND ²	−0.3 V to +6.5 V
FB4 to GND ²	−0.3 V to +7 V
COMP1, COMP2, COMP3, COMP4 to GND	−0.3 V to +3.6 V
VDD to GND	−0.3 V to +3.6 V
Storage Temperature Range	−65°C to +150°C
Operational Junction Temperature Range	−40°C to +125°C

¹ This rating applies to the adjustable output voltage models of the [ADP5052](#).

² This rating applies to the fixed output voltage models of the [ADP5052](#).

Stresses above those listed under Absolute Maximum Ratings may cause permanent damage to the device. This is a stress rating only; functional operation of the device at these or any other conditions above those indicated in the operational section of this specification is not implied. Exposure to absolute maximum rating conditions for extended periods may affect device reliability.

THERMAL RESISTANCE

θ_{JA} is specified for the worst-case conditions, that is, a device soldered in a circuit board for surface-mount packages.

Table 5. Thermal Resistance

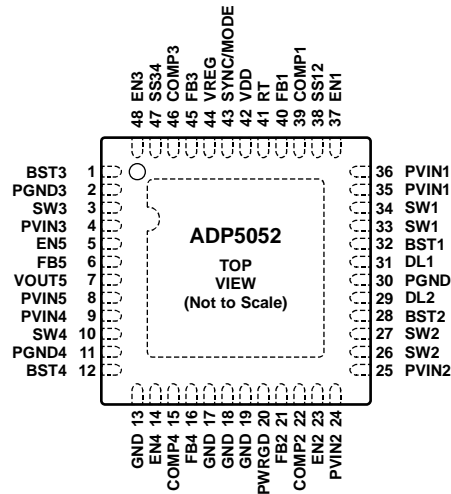
Package Type	θ_{JA}	θ_{JC}	Unit
48-Lead LFCSP	27.87	2.99	°C/W

ESD CAUTION



ESD (electrostatic discharge) sensitive device. Charged devices and circuit boards can discharge without detection. Although this product features patented or proprietary protection circuitry, damage may occur on devices subjected to high energy ESD. Therefore, proper ESD precautions should be taken to avoid performance degradation or loss of functionality.

PIN CONFIGURATION AND FUNCTION DESCRIPTIONS



NOTES
 1. THE EXPOSED PAD MUST BE CONNECTED AND SOLDERED TO AN EXTERNAL GROUND PLANE.

10800-002

Figure 3. Pin Configuration

Table 6. Pin Function Descriptions

Pin No.	Mnemonic	Description
1	BST3	High-Side FET Driver Power Supply for Channel 3.
2	PGND3	Power Ground for Channel 3.
3	SW3	Switching Node Output for Channel 3.
4	PVIN3	Power Input for Channel 3. Connect a bypass capacitor between this pin and ground.
5	EN5	Enable Input for Channel 5. An external resistor divider can be used to set the turn-on threshold.
6	FB5	Feedback Sensing Input for Channel 5.
7	VOUT5	Power Output for Channel 5.
8	PVIN5	Power Input for Channel 5. Connect a bypass capacitor between this pin and ground.
9	PVIN4	Power Input for Channel 4. Connect a bypass capacitor between this pin and ground.
10	SW4	Switching Node Output for Channel 4.
11	PGND4	Power Ground for Channel 4.
12	BST4	High-Side FET Driver Power Supply for Channel 4.
13	GND	This pin is for internal test purposes. Connect this pin to ground.
14	EN4	Enable Input for Channel 4. An external resistor divider can be used to set the turn-on threshold.
15	COMP4	Error Amplifier Output for Channel 4. Connect an RC network from this pin to ground.
16	FB4	Feedback Sensing Input for Channel 4.
17, 18, 19	GND	These pins are for internal test purposes. Connect these pins to ground.
20	PWRGD	Power-Good Signal Output. This open-drain output is the power-good signal for the selected channels.
21	FB2	Feedback Sensing Input for Channel 2.
22	COMP2	Error Amplifier Output for Channel 2. Connect an RC network from this pin to ground.
23	EN2	Enable Input for Channel 2. An external resistor divider can be used to set the turn-on threshold.
24, 25	PVIN2	Power Input for Channel 2. Connect a bypass capacitor between this pin and ground.
26, 27	SW2	Switching Node Output for Channel 2.
28	BST2	High-Side FET Driver Power Supply for Channel 2.
29	DL2	Low-Side FET Gate Driver for Channel 2. Connect a resistor from this pin to ground to program the current-limit threshold for Channel 2.
30	PGND	Power Ground for Channel 1 and Channel 2.
31	DL1	Low-Side FET Gate Driver for Channel 1. Connect a resistor from this pin to ground to program the current-limit threshold for Channel 1.
32	BST1	High-Side FET Driver Power Supply for Channel 1.

Pin No.	Mnemonic	Description
33, 34	SW1	Switching Node Output for Channel 1.
35, 36	PVIN1	Power Input for the Internal 5.1 V VREG Linear Regulator and the Channel 1 Buck Regulator. Connect a bypass capacitor between this pin and ground.
37	EN1	Enable Input for Channel 1. An external resistor divider can be used to set the turn-on threshold.
38	SS12	Connect a resistor divider from this pin to VREG and ground to configure the soft start time for Channel 1 and Channel 2 (see the Soft Start section). This pin is also used to configure parallel operation of Channel 1 and Channel 2 (see the Parallel Operation section).
39	COMP1	Error Amplifier Output for Channel 1. Connect an RC network from this pin to ground.
40	FB1	Feedback Sensing Input for Channel 1.
41	RT	Connect a resistor from RT to ground to program the switching frequency from 250 kHz to 1.4 MHz. For more information, see the Oscillator section.
42	VDD	Output of the Internal 3.3 V Linear Regulator. Connect a 1 μ F ceramic capacitor between this pin and ground.
43	SYNC/MODE	Synchronization Input/Output (SYNC). To synchronize the switching frequency of the part to an external clock, connect this pin to an external clock with a frequency from 250 kHz to 1.4 MHz. This pin can also be configured as a synchronization output by factory fuse. Forced PWM or Automatic PWM/PSM Selection Pin (MODE). When this pin is logic high, the part operates in forced PWM (FPWM) mode. When this pin is logic low, the part operates in automatic PWM/PSM mode.
44	VREG	Output of the Internal 5.1 V Linear Regulator. Connect a 1 μ F ceramic capacitor between this pin and ground.
45	FB3	Feedback Sensing Input for Channel 3.
46	COMP3	Error Amplifier Output for Channel 3. Connect an RC network from this pin to ground.
47	SS34	Connect a resistor divider from this pin to VREG and ground to configure the soft start time for Channel 3 and Channel 4 (see the Soft Start section).
48	EN3	Enable Input for Channel 3. An external resistor divider can be used to set the turn-on threshold.
	EPAD	Exposed Pad (Analog Ground). The exposed pad must be connected and soldered to an external ground plane.

TYPICAL PERFORMANCE CHARACTERISTICS

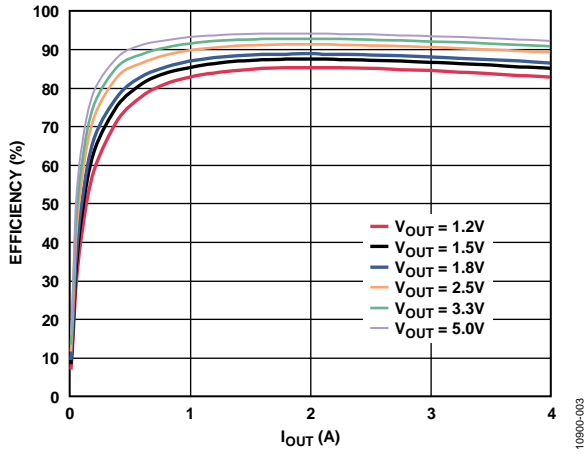


Figure 4. Channel 1/Channel 2 Efficiency Curve, $V_{IN} = 12\text{ V}$, $f_{SW} = 600\text{ kHz}$, FPWM Mode

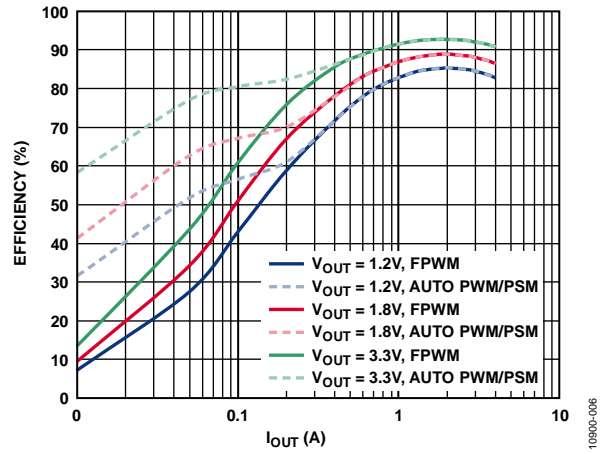


Figure 7. Channel 1/Channel 2 Efficiency Curve, $V_{IN} = 12\text{ V}$, $f_{SW} = 600\text{ kHz}$, FPWM and Automatic PWM/PSM Modes

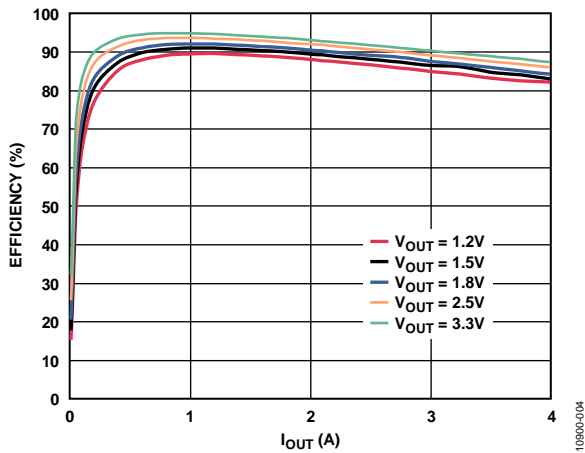


Figure 5. Channel 1/Channel 2 Efficiency Curve, $V_{IN} = 5.0\text{ V}$, $f_{SW} = 600\text{ kHz}$, FPWM Mode

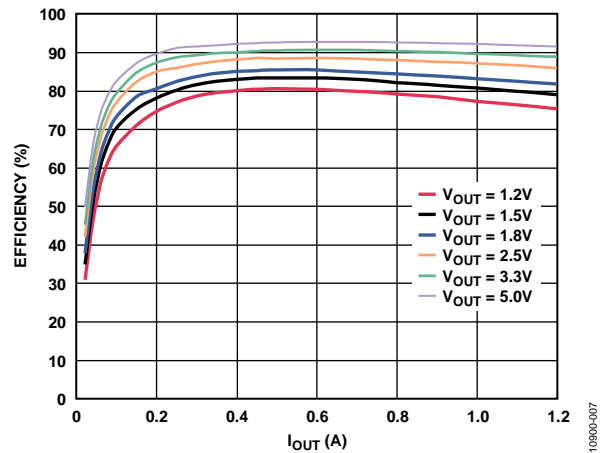


Figure 8. Channel 3/Channel 4 Efficiency Curve, $V_{IN} = 12\text{ V}$, $f_{SW} = 600\text{ kHz}$, FPWM Mode

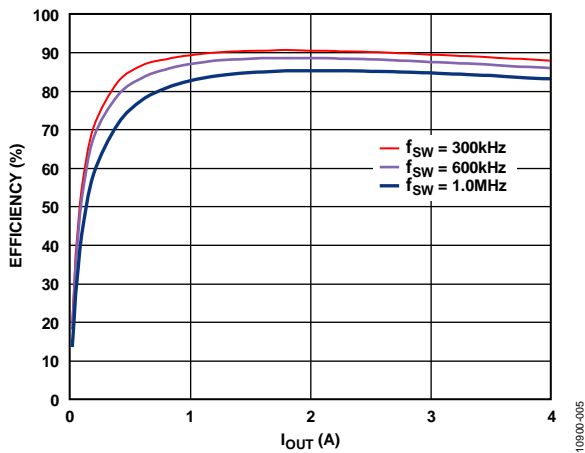


Figure 6. Channel 1/Channel 2 Efficiency Curve, $V_{IN} = 12\text{ V}$, $V_{OUT} = 1.8\text{ V}$, FPWM Mode

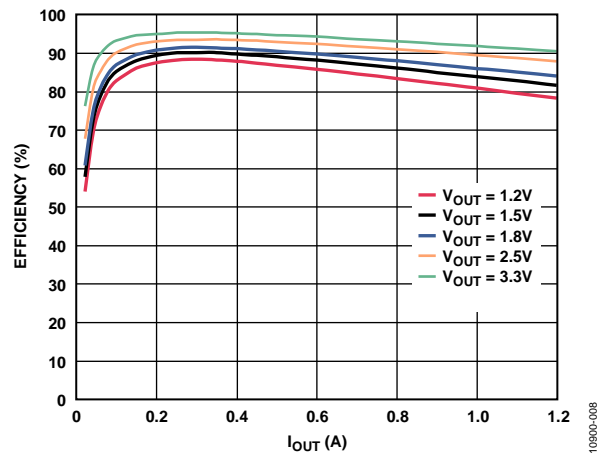


Figure 9. Channel 3/Channel 4 Efficiency Curve, $V_{IN} = 5.0\text{ V}$, $f_{SW} = 600\text{ kHz}$, FPWM Mode

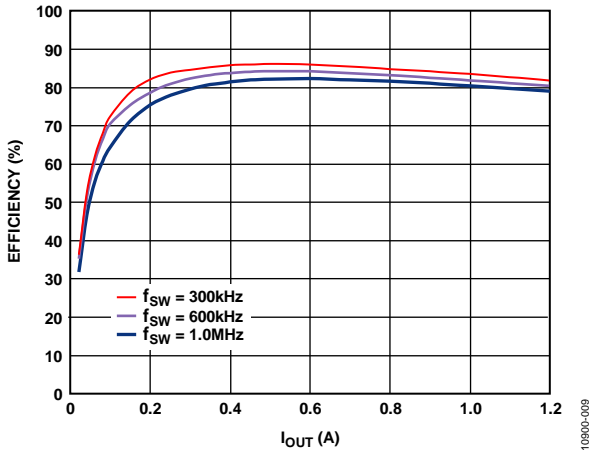


Figure 10. Channel 3/Channel 4 Efficiency Curve, $V_{IN} = 12\text{ V}$, $V_{OUT} = 1.8\text{ V}$, FPWM Mode

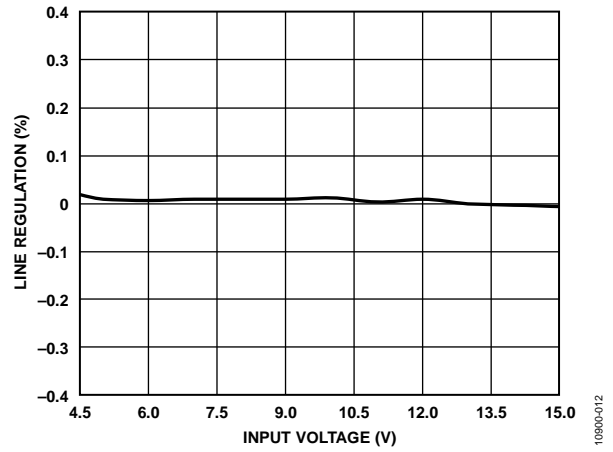


Figure 13. Channel 1 Line Regulation, $V_{OUT} = 3.3\text{ V}$, $I_{OUT} = 4\text{ A}$, $f_{SW} = 600\text{ kHz}$, FPWM Mode

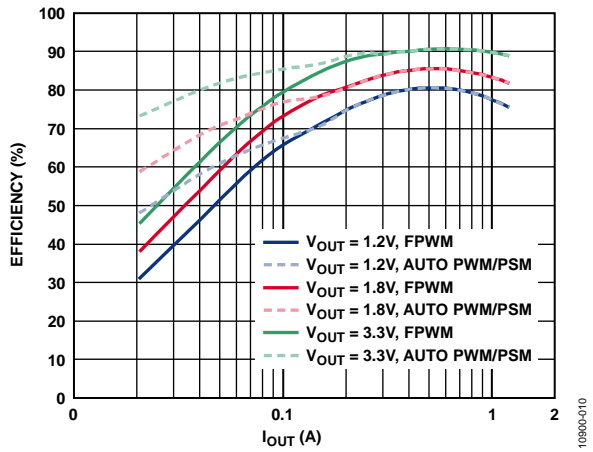


Figure 11. Channel 3/Channel 4 Efficiency Curve, $V_{IN} = 12\text{ V}$, $f_{SW} = 600\text{ kHz}$, FPWM and Automatic PWM/PSM Modes

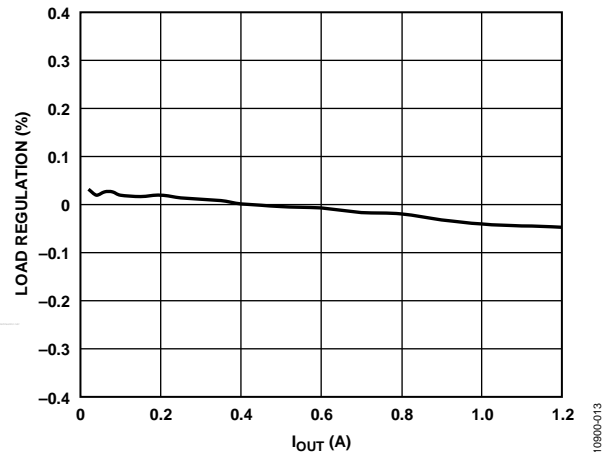


Figure 14. Channel 3 Load Regulation, $V_{IN} = 12\text{ V}$, $V_{OUT} = 3.3\text{ V}$, $f_{SW} = 600\text{ kHz}$, FPWM Mode

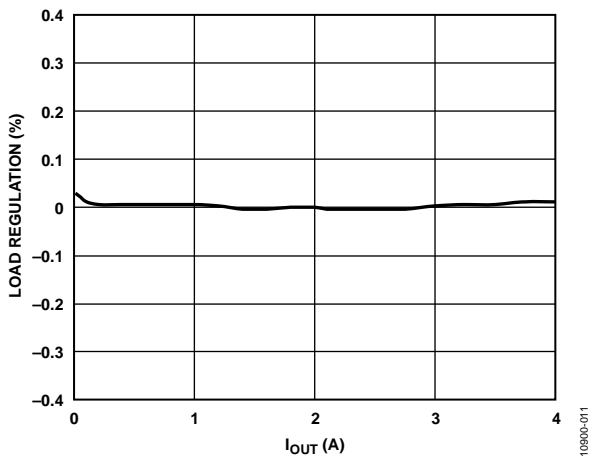


Figure 12. Channel 1 Load Regulation, $V_{IN} = 12\text{ V}$, $V_{OUT} = 3.3\text{ V}$, $f_{SW} = 600\text{ kHz}$, FPWM Mode

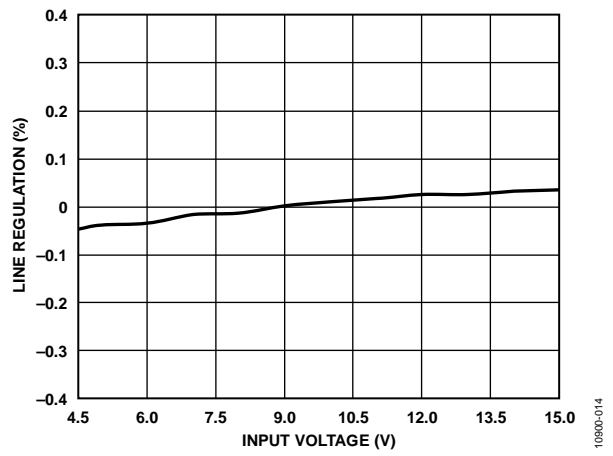


Figure 15. Channel 3 Line Regulation, $V_{OUT} = 3.3\text{ V}$, $I_{OUT} = 1\text{ A}$, $f_{SW} = 600\text{ kHz}$, FPWM Mode

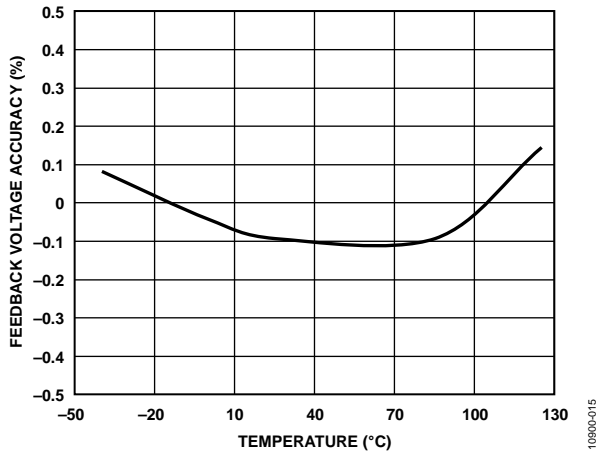


Figure 16. 0.8 V Feedback Voltage Accuracy vs. Temperature for Channel 1, Adjustable Output Model

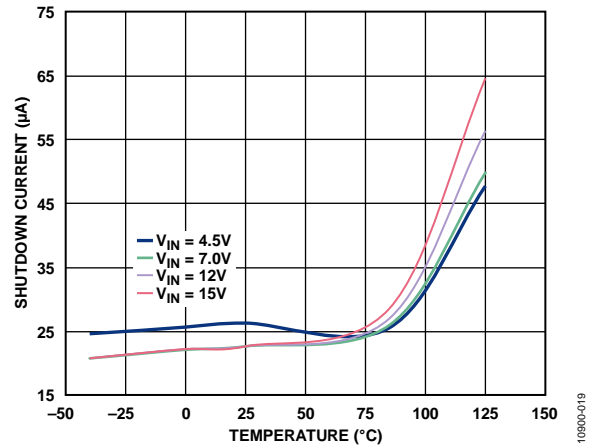


Figure 19. Shutdown Current vs. Temperature (EN1, EN2, EN3, EN4, and EN5 Low)

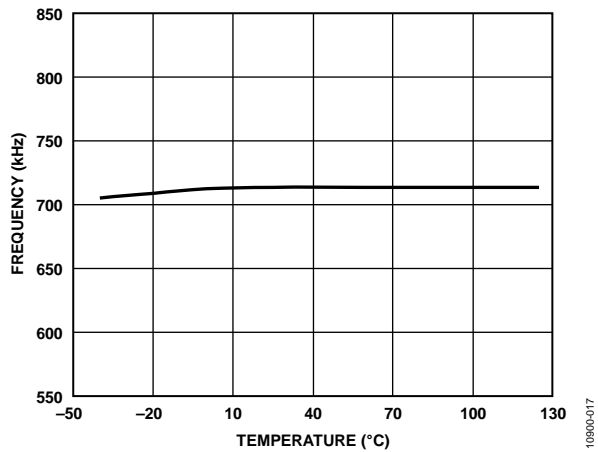


Figure 17. Frequency vs. Temperature, $V_{IN} = 12\text{ V}$

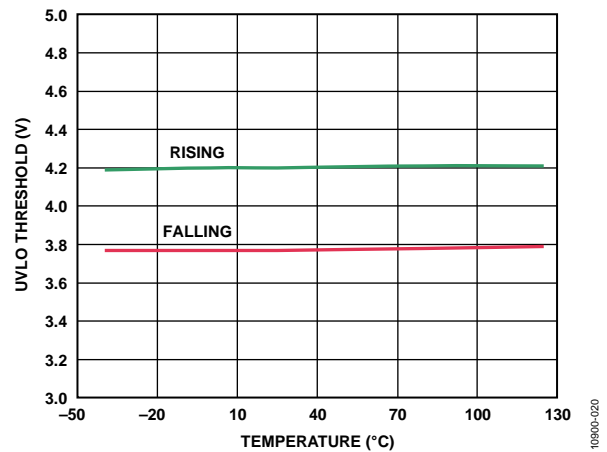


Figure 20. UVLO Threshold vs. Temperature

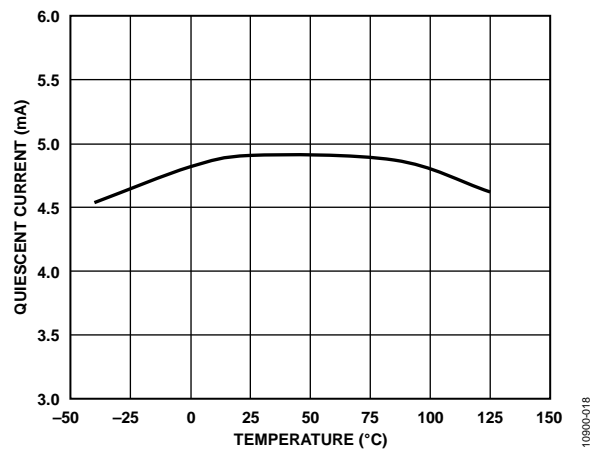


Figure 18. Quiescent Current vs. Temperature (Includes PVIN1, PVIN2, PVIN3, and PVIN4)

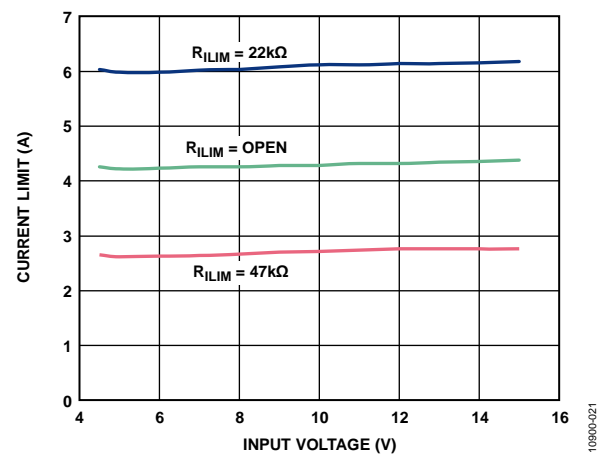


Figure 21. Channel 1/Channel 2 Current Limit vs. Input Voltage

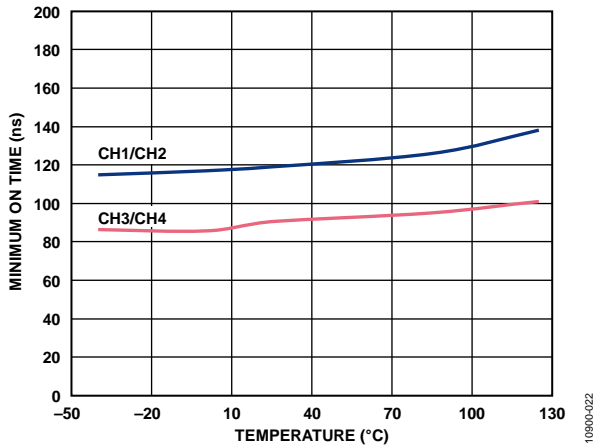


Figure 22. Minimum On Time vs. Temperature

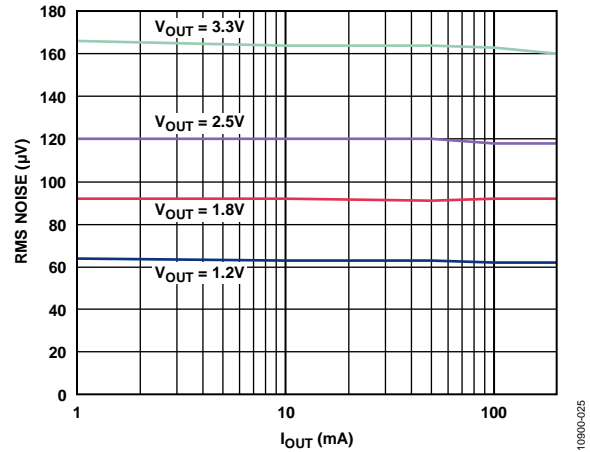


Figure 25. Channel 5 (LDO Regulator) Output Noise vs. Output Load, $V_{IN} = 5V, C_{OUT} = 1\mu F$

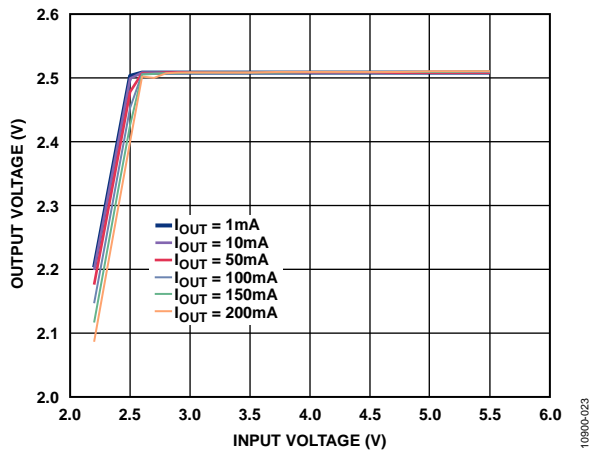


Figure 23. Channel 5 (LDO Regulator) Line Regulation over Output Load

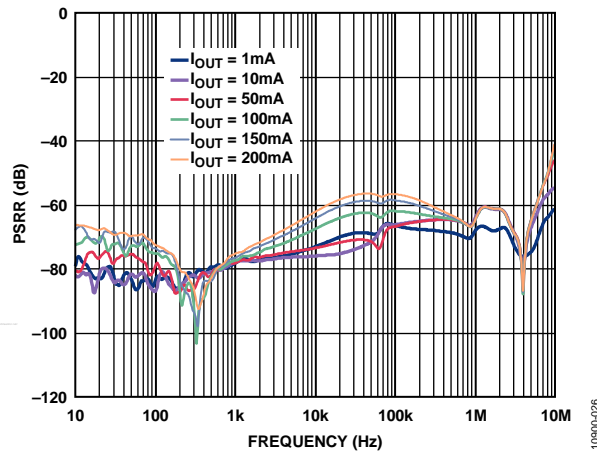


Figure 26. Channel 5 (LDO Regulator) PSRR over Output Load, $V_{IN} = 5V, V_{OUT} = 3.3V, C_{OUT} = 1\mu F$

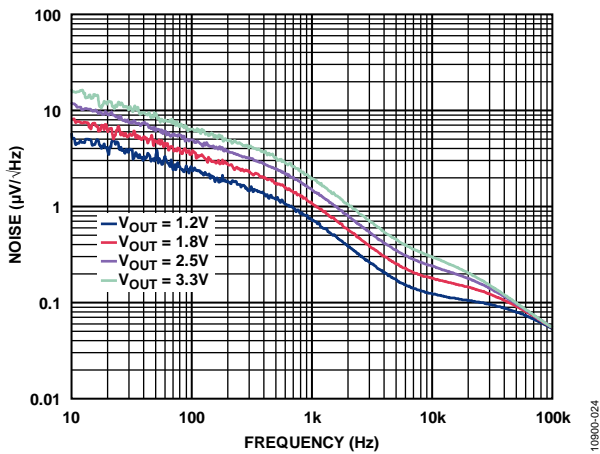


Figure 24. Channel 5 (LDO Regulator) Output Noise Spectrum, $V_{IN} = 5V, C_{OUT} = 1\mu F, I_{OUT} = 10mA$

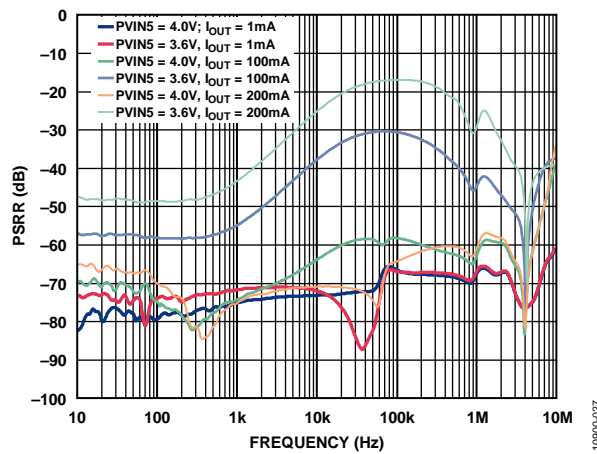


Figure 27. Channel 5 (LDO Regulator) PSRR over Various Loads and Dropout Voltages, $V_{OUT} = 3.3V, C_{OUT} = 1\mu F$

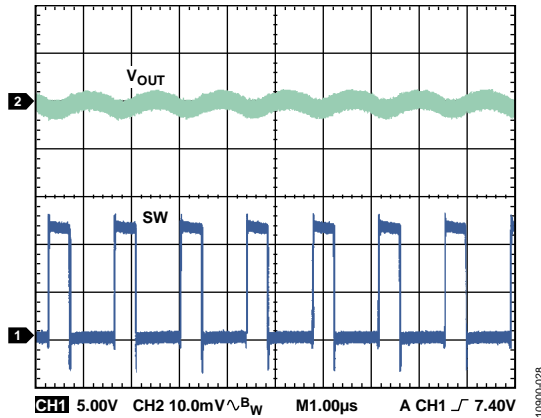


Figure 28. Steady State Waveform at Heavy Load, $V_{IN} = 12\text{ V}$, $V_{OUT} = 3.3\text{ V}$, $I_{OUT} = 3\text{ A}$, $f_{SW} = 600\text{ kHz}$, $L = 4.7\text{ }\mu\text{H}$, $C_{OUT} = 47\text{ }\mu\text{F} \times 2$, FPWM Mode

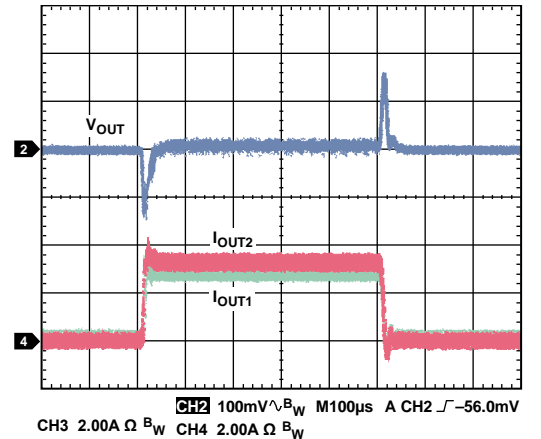


Figure 31. Load Transient, Channel 1/Channel 2 Parallel Output, 0 A to 6 A, $V_{IN} = 12\text{ V}$, $V_{OUT} = 3.3\text{ V}$, $f_{SW} = 600\text{ kHz}$, $L = 4.7\text{ }\mu\text{H}$, $C_{OUT} = 47\text{ }\mu\text{F} \times 4$

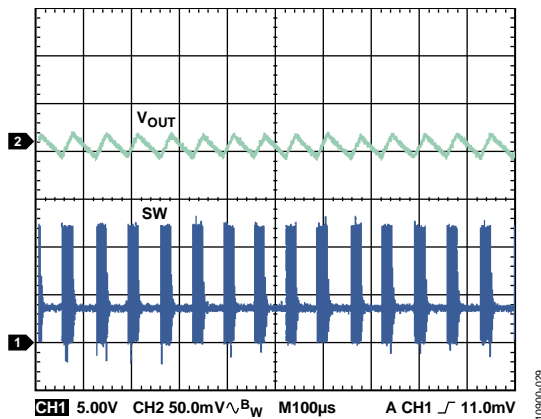


Figure 29. Steady State Waveform at Light Load, $V_{IN} = 12\text{ V}$, $V_{OUT} = 3.3\text{ V}$, $I_{OUT} = 30\text{ mA}$, $f_{SW} = 600\text{ kHz}$, $L = 4.7\text{ }\mu\text{H}$, $C_{OUT} = 47\text{ }\mu\text{F} \times 2$, Automatic PWM/PSM Mode

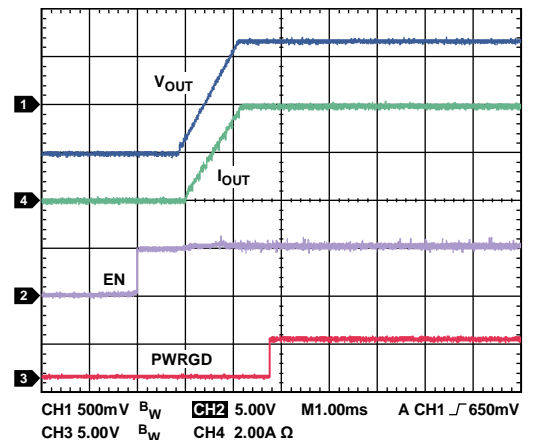


Figure 32. Channel 1/Channel 2 Soft Start with 4 A Resistance Load, $V_{IN} = 12\text{ V}$, $V_{OUT} = 1.2\text{ V}$, $f_{SW} = 600\text{ kHz}$, $L = 1\text{ }\mu\text{H}$, $C_{OUT} = 47\text{ }\mu\text{F} \times 2$

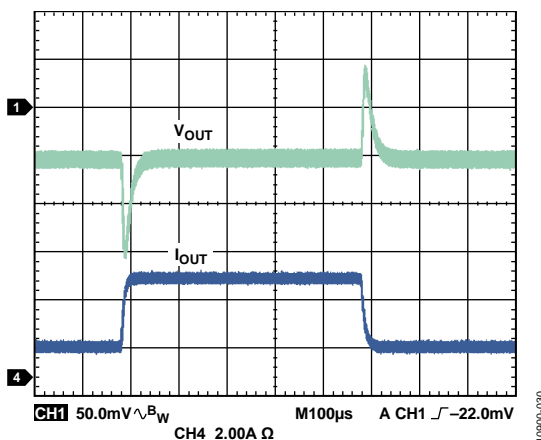


Figure 30. Channel 1/Channel 2 Load Transient, 1 A to 4 A, $V_{IN} = 12\text{ V}$, $V_{OUT} = 3.3\text{ V}$, $f_{SW} = 600\text{ kHz}$, $L = 2.2\text{ }\mu\text{H}$, $C_{OUT} = 47\text{ }\mu\text{F} \times 2$

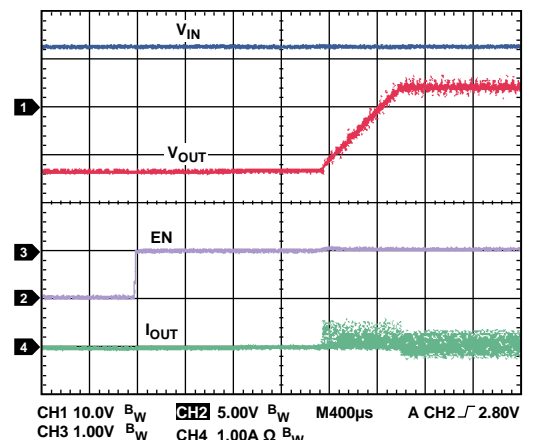


Figure 33. Startup with Precharged Output, $V_{IN} = 12\text{ V}$, $V_{OUT} = 3.3\text{ V}$

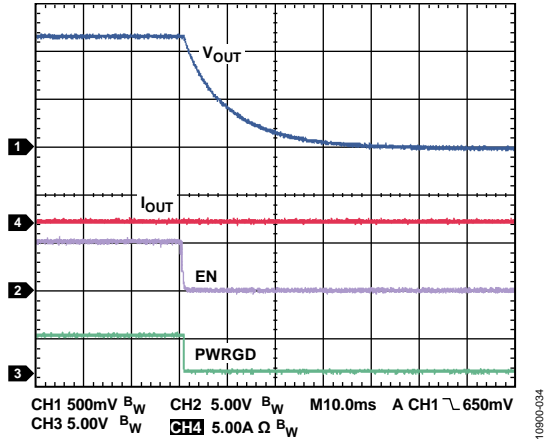


Figure 34. Channel 1/Channel 2 Shutdown with Active Output Discharge, $V_{IN} = 12\text{ V}$, $V_{OUT} = 1.2\text{ V}$, $f_{SW} = 600\text{ kHz}$, $L = 1\text{ }\mu\text{H}$, $C_{OUT} = 47\text{ }\mu\text{F} \times 2$

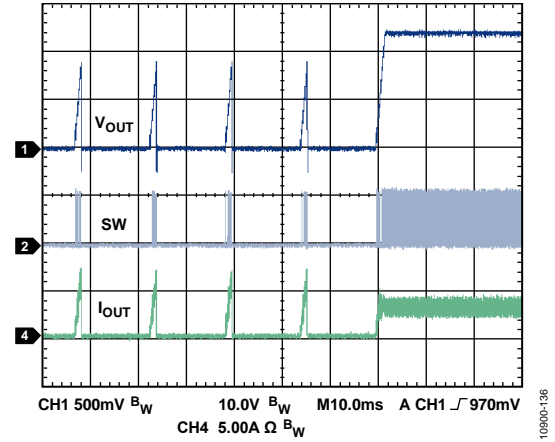


Figure 36. Short-Circuit Protection Recovery, $V_{IN} = 12\text{ V}$, $V_{OUT} = 1.2\text{ V}$, $f_{SW} = 600\text{ kHz}$, $L = 1\text{ }\mu\text{H}$, $C_{OUT} = 47\text{ }\mu\text{F} \times 2$

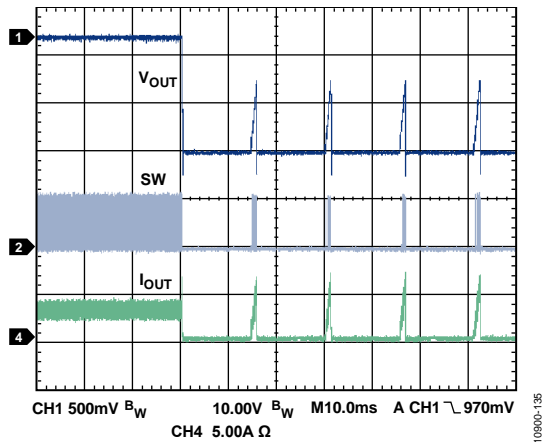


Figure 35. Short-Circuit Protection Entry, $V_{IN} = 12\text{ V}$, $V_{OUT} = 1.2\text{ V}$, $f_{SW} = 600\text{ kHz}$, $L = 1\text{ }\mu\text{H}$, $C_{OUT} = 47\text{ }\mu\text{F} \times 2$

THEORY OF OPERATION

The [ADP5052](#) is a micropower management unit that combines four high performance buck regulators with a 200 mA low dropout (LDO) regulator in a 48-lead LFCSP package to meet demanding performance and board space requirements. The device enables direct connection to high input voltages up to 15 V with no pre-regulators to make applications simpler and more efficient.

BUCK REGULATOR OPERATIONAL MODES

PWM Mode

In pulse-width modulation (PWM) mode, the buck regulators in the [ADP5052](#) operate at a fixed frequency; this frequency is set by an internal oscillator that is programmed by the RT pin. At the start of each oscillator cycle, the high-side MOSFET turns on and sends a positive voltage across the inductor. The inductor current increases until the current-sense signal exceeds the peak inductor current threshold that turns off the high-side MOSFET; this threshold is set by the error amplifier output.

During the high-side MOSFET off time, the inductor current decreases through the low-side MOSFET until the next oscillator clock pulse starts a new cycle. The buck regulators in the [ADP5052](#) regulate the output voltage by adjusting the peak inductor current threshold.

PSM Mode

To achieve higher efficiency, the buck regulators in the [ADP5052](#) smoothly transition to variable frequency power save mode (PSM) operation when the output load falls below the PSM current threshold. When the output voltage falls below regulation, the buck regulator enters PWM mode for a few oscillator cycles until the voltage increases to within regulation. During the idle time between bursts, the MOSFET turns off, and the output capacitor supplies all the output current.

The PSM comparator monitors the internal compensation node, which represents the peak inductor current information. The average PSM current threshold depends on the input voltage (V_{IN}), the output voltage (V_{OUT}), the inductor, and the output capacitor. Because the output voltage occasionally falls below regulation and then recovers, the output voltage ripple in PSM operation is larger than the ripple in the forced PWM mode of operation under light load conditions.

Forced PWM and Automatic PWM/PSM Modes

The buck regulators can be configured to always operate in PWM mode using the SYNC/MODE pin. In forced PWM (FPWM) mode, the regulator continues to operate at a fixed frequency even when the output current is below the PWM/PSM threshold. In PWM mode, efficiency is lower compared to PSM mode under light load conditions. The low-side MOSFET remains on when the inductor current falls to less than 0 A, causing the [ADP5052](#) to enter continuous conduction mode (CCM).

The buck regulators can be configured to operate in automatic PWM/PSM mode using the SYNC/MODE pin. In automatic PWM/PSM mode, the buck regulators operate in either PWM mode or PSM mode, depending on the output current. When the average output current falls below the PWM/PSM threshold, the buck regulator enters PSM mode operation; in PSM mode, the regulator operates with a reduced switching frequency to maintain high efficiency. The low-side MOSFET turns off when the output current reaches 0 A, causing the regulator to operate in discontinuous mode (DCM).

When the SYNC/MODE pin is connected to VREG, the part operates in forced PWM (FPWM) mode. When the SYNC/MODE pin is connected to ground, the part operates in automatic PWM/PSM mode.

ADJUSTABLE AND FIXED OUTPUT VOLTAGES

The [ADP5052](#) provides adjustable and fixed output voltage settings via factory fuse. For the adjustable output settings, use an external resistor divider to set the desired output voltage via the feedback reference voltage (0.8 V for Channel 1 to Channel 4, and 0.5 V for Channel 5).

For the fixed output settings, the feedback resistor divider is built into the [ADP5052](#), and the feedback pin (FBx) must be tied directly to the output. Table 7 lists the available fixed output voltage ranges for each buck regulator channel.

Table 7. Fixed Output Voltage Ranges

Channel	Fixed Output Voltage Range
Channel 1	0.85 V to 1.6 V in 25 mV steps
Channel 2	3.3 V to 5.0 V in 300 mV or 200 mV steps
Channel 3	1.2 V to 1.8 V in 100 mV steps
Channel 4	2.5 V to 5.5 V in 100 mV steps

The output range can also be programmed by factory fuse. If a different output voltage range is required, contact your local Analog Devices, Inc., sales or distribution representative.

INTERNAL REGULATORS (VREG AND VDD)

The internal VREG regulator in the [ADP5052](#) provides a stable 5.1 V power supply for the bias voltage of the MOSFET drivers. The internal VDD regulator in the [ADP5052](#) provides a stable 3.3 V power supply for internal control circuits. Connect a 1.0 μ F ceramic capacitor between VREG and ground; connect another 1.0 μ F ceramic capacitor between VDD and ground. The internal VREG and VDD regulators are active as long as PVIN1 is available.

The internal VREG regulator can provide a total load of 95 mA including the MOSFET driving current, and it can be used as an always alive 5.1 V power supply for a small system current demand. The current-limit circuit is included in the VREG regulator to protect the circuit when the part is heavily loaded.

The VDD regulator is for internal circuit use and is not recommended for other purposes.

SEPARATE SUPPLY APPLICATIONS

The [ADP5052](#) supports separate input voltages for the four buck regulators. This means that the input voltages for the four buck regulators can be connected to different supply voltages.

The PVIN1 voltage provides the power supply for the internal regulators and the control circuitry. Therefore, if the user plans to use separate supply voltages for the buck regulators, the PVIN1 voltage must be above the UVLO threshold before the other channels begin to operate.

Precision enabling can be used to monitor the PVIN1 voltage and to delay the startup of the outputs to ensure that PVIN1 is high enough to support the outputs in regulation. For more information, see the Precision Enabling section.

The [ADP5052](#) supports cascading supply operation for the four buck regulators. As shown in Figure 37, PVIN2, PVIN3, and PVIN4 are powered from the Channel 1 output. In this configuration, the Channel 1 output voltage must be higher than the UVLO threshold for PVIN2, PVIN3, and PVIN4.

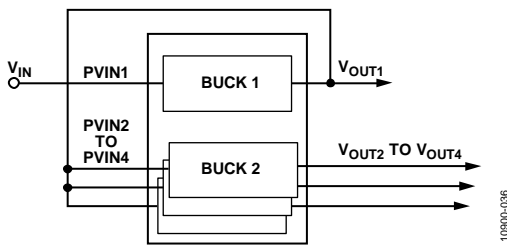


Figure 37. Cascading Supply Application

LOW-SIDE DEVICE SELECTION

The buck regulators in Channel 1 and Channel 2 integrate 4 A high-side power MOSFETs and low-side MOSFET drivers. The N-channel MOSFETs selected for use with the [ADP5052](#) must be able to work with the synchronized buck regulators. In general, a low $R_{DS(on)}$ N-channel MOSFET can be used to achieve higher efficiency; dual MOSFETs in one package (for both Channel 1 and Channel 2) are recommended to save space on the PCB. For more information, see the Low-Side Power Device Selection section.

BOOTSTRAP CIRCUITRY

Each buck regulator in the [ADP5052](#) has an integrated bootstrap regulator. The bootstrap regulator requires a 0.1 μF ceramic capacitor (X5R or X7R) between the BSTx and SWx pins to provide the gate drive voltage for the high-side MOSFET.

ACTIVE OUTPUT DISCHARGE SWITCH

Each buck regulator in the [ADP5052](#) integrates a discharge switch from the switching node to ground. This switch is turned on when its associated regulator is disabled, which helps to discharge the output capacitor quickly. The typical value of the discharge switch is 250 Ω for Channel 1 to Channel 4. The discharge switch function can be enabled or disabled for all four buck regulators by factory fuse.

PRECISION ENABLING

The [ADP5052](#) has an enable control pin for each regulator, including the LDO regulator. The enable control pin (ENx) features a precision enable circuit with a 0.8 V reference voltage. When the voltage at the ENx pin is greater than 0.8 V, the regulator is enabled. When the voltage at the ENx pin falls below 0.725 V, the regulator is disabled. An internal 1 M Ω pull-down resistor prevents errors if the ENx pin is left floating.

The precision enable threshold voltage allows easy sequencing of channels within the part, as well as sequencing between the [ADP5052](#) and other input/output supplies. The ENx pin can also be used as a programmable UVLO input using a resistor divider (see Figure 38). For more information, see the Programming the UVLO Input section.

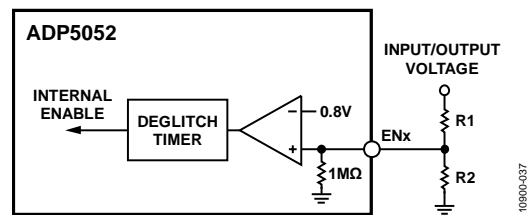


Figure 38. Precision Enable Diagram for One Channel

OSCILLATOR

The switching frequency (f_{sw}) of the [ADP5052](#) can be set to a value from 250 kHz to 1.4 MHz by connecting a resistor from the RT pin to ground. The value of the RT resistor can be calculated as follows:

$$R_{RT} \text{ (k}\Omega\text{)} = [14,822/f_{sw} \text{ (kHz)}]^{1.081}$$

Figure 39 shows the typical relationship between the switching frequency (f_{sw}) and the RT resistor. The adjustable frequency allows users to make decisions based on the trade-off between efficiency and solution size.

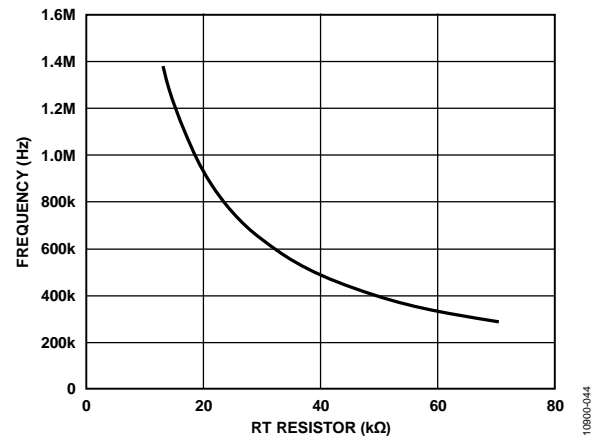


Figure 39. Switching Frequency vs. RT Resistor

For Channel 1 and Channel 3, the frequency can be set to half the master switching frequency set by the RT pin. This setting can be selected by factory fuse. If the master switching frequency is less than 250 kHz, this halving of the frequency for Channel 1 or Channel 3 is not recommended.

Phase Shift

The phase shift between Channel 1 and Channel 2 and between Channel 3 and Channel 4 is 180°. Therefore, Channel 3 is in phase with Channel 1, and Channel 4 is in phase with Channel 2 (see Figure 40). This phase shift maximizes the benefits of out-of-phase operation by reducing the input ripple current and lowering the ground noise.

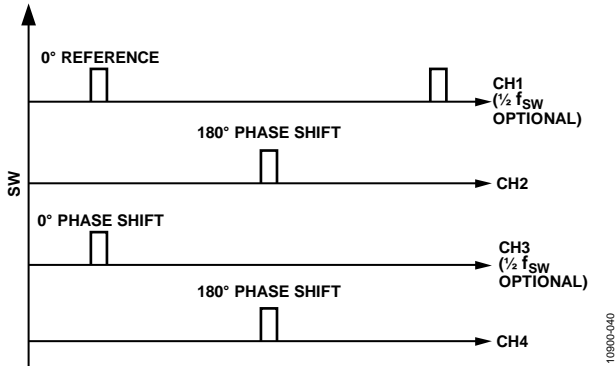


Figure 40. Phase Shift Diagram, Four Buck Regulators

SYNCHRONIZATION INPUT/OUTPUT

The switching frequency of the ADP5052 can be synchronized to an external clock with a frequency range from 250 kHz to 1.4 MHz. The ADP5052 automatically detects the presence of an external clock applied to the SYNC/MODE pin, and the switching frequency transitions smoothly to the frequency of the external clock. When the external clock signal stops, the device automatically switches back to the internal clock and continues to operate.

Note that the internal switching frequency set by the RT pin must be programmed to a value that is close to the external clock value for successful synchronization; the suggested frequency difference is less than ±15% in typical applications.

The SYNC/MODE pin can be configured as a synchronization clock output by factory fuse. A positive clock pulse with a 50% duty cycle is generated at the SYNC/MODE pin with a frequency equal to the internal switching frequency set by the RT pin. There is a short delay time (approximately 15% of t_{sw}) from the generated synchronization clock to the Channel 1 switching node.

Figure 41 shows two ADP5052 devices configured for frequency synchronization mode: one ADP5052 device is configured as the clock output to synchronize another ADP5052 device. It is recommended that a 100 kΩ pull-up resistor be used to prevent logic errors when the SYNC/MODE pin is left floating.

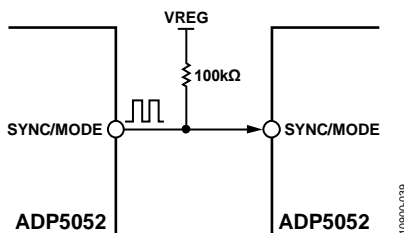


Figure 41. Two ADP5052 Devices Configured for Synchronization Mode

In the configuration shown in Figure 41, the phase shift between Channel 1 of the first ADP5052 device and Channel 1 of the second ADP5052 device is 0° (see Figure 42).

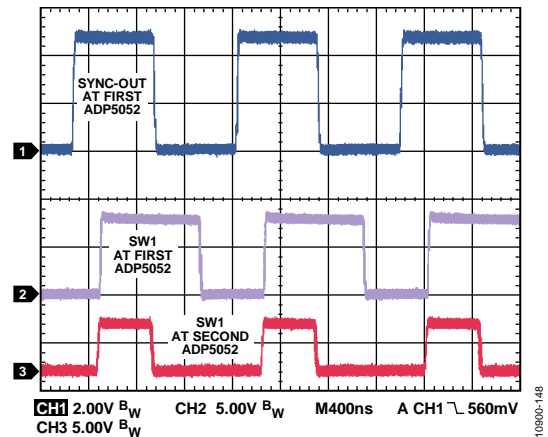


Figure 42. Waveforms of Two ADP5052 Devices Operating in Synchronization Mode

SOFT START

The buck regulators in the ADP5052 include soft start circuitry that ramps the output voltage in a controlled manner during startup, thereby limiting the inrush current. The soft start time is typically fixed at 2 ms for each buck regulator when the SS12 and SS34 pins are tied to VREG.

To set the soft start time to a value of 2 ms, 4 ms, or 8 ms, connect a resistor divider from the SS12 or SS34 pin to the VREG pin and ground (see Figure 43). This configuration may be required to accommodate a specific start-up sequence or an application with a large output capacitor.

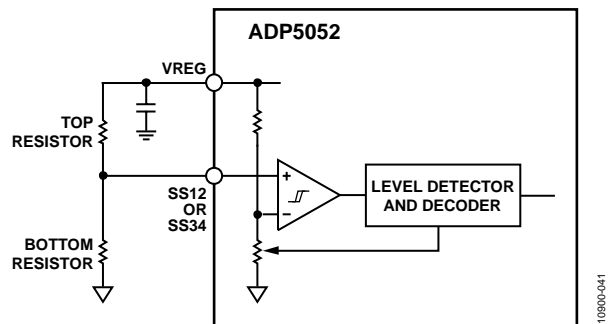


Figure 43. Level Detector Circuit for Soft Start

The SS12 pin can be used to program the soft start time and parallel operation for Channel 1 and Channel 2. The SS34 pin can be used to program the soft start time for Channel 3 and Channel 4. Table 8 provides the values of the resistors needed to set the soft start time.

Table 8. Soft Start Time Set by the SS12 and SS34 Pins

R _{TOP} (kΩ)	R _{BOT} (kΩ)	Soft Start Time		Soft Start Time	
		Channel 1	Channel 2	Channel 3	Channel 4
0	N/A	2 ms	2 ms	2 ms	2 ms
100	600	2 ms	Parallel	2 ms	4 ms
200	500	2 ms	8 ms	2 ms	8 ms
300	400	4 ms	2 ms	4 ms	2 ms
400	300	4 ms	4 ms	4 ms	4 ms
500	200	8 ms	2 ms	4 ms	8 ms
600	100	8 ms	Parallel	8 ms	2 ms
N/A	0	8 ms	8 ms	8 ms	8 ms

PARALLEL OPERATION

The ADP5052 supports two-phase parallel operation of Channel 1 and Channel 2 to provide a single output with up to 8 A of current. To configure Channel 1 and Channel 2 as a two-phase single output in parallel operation, do the following (see Figure 44):

- Use the SS12 pin to select parallel operation as specified in Table 8.
- Leave the COMP2 pin open.
- Use the FB1 pin to set the output voltage.
- Connect the FB2 pin to ground (FB2 is ignored).
- Connect the EN2 pin to ground (EN2 is ignored).

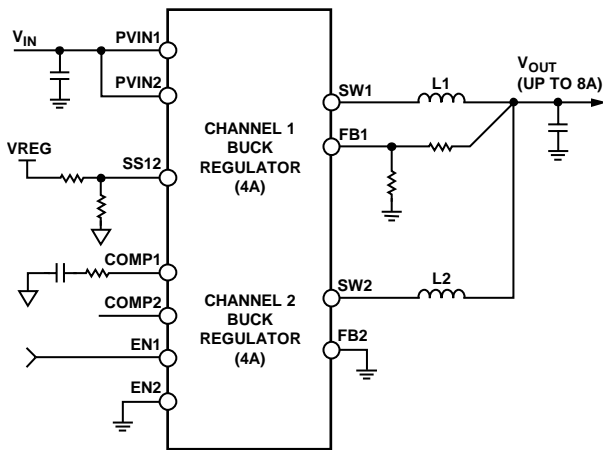


Figure 44. Parallel Operation for Channel 1 and Channel 2

When Channel 1 and Channel 2 are operated in the parallel configuration, configure the channels as follows:

- Set the input voltages and current-limit settings for Channel 1 and Channel 2 to the same values.
- Operate both channels in forced PWM mode.

Current balance in parallel configuration is well regulated by the internal control loop. Figure 45 shows the typical current balance matching in the parallel output configuration.

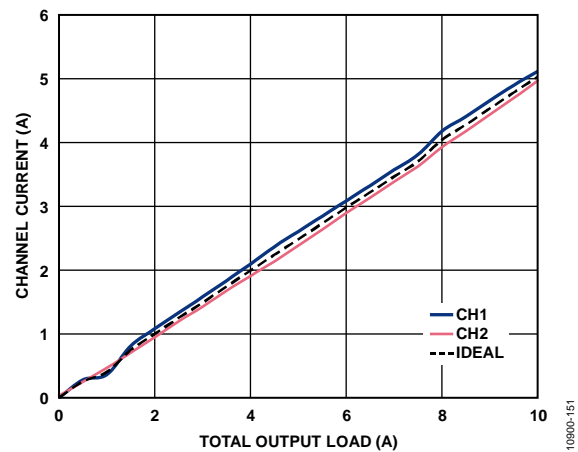


Figure 45. Current Balance in Parallel Output Configuration, V_{IN} = 12 V, V_{OUT} = 1.2 V, f_{sw} = 600 kHz, FPWM Mode

STARTUP WITH PRECHARGED OUTPUT

The buck regulators in the ADP5052 include a precharged start-up feature to protect the low-side FETs from damage during startup. If the output voltage is precharged before the regulator is turned on, the regulator prevents reverse inductor current—which discharges the output capacitor—until the internal soft start reference voltage exceeds the precharged voltage on the feedback (FBx) pin.

CURRENT-LIMIT PROTECTION

The buck regulators in the ADP5052 include peak current-limit protection circuitry to limit the amount of positive current flowing through the high-side MOSFET. The peak current limit on the power switch limits the amount of current that can flow from the input to the output. The programmable current-limit threshold feature allows for the use of small size inductors for low current applications.

To configure the current-limit threshold for Channel 1, connect a resistor from the DL1 pin to ground; to configure the current-limit threshold for Channel 2, connect another resistor from the DL2 pin to ground. Table 9 lists the peak current-limit threshold settings for Channel 1 and Channel 2.

Table 9. Peak Current-Limit Threshold Settings for Channel 1 and Channel 2

R _{ILIM1} or R _{ILIM2}	Typical Peak Current-Limit Threshold
Floating	4.4 A
47 kΩ	2.63 A
22 kΩ	6.44 A

The buck regulators in the ADP5052 include negative current-limit protection circuitry to limit certain amounts of negative current flowing through the low-side MOSFET.

FREQUENCY FOLDBACK

The buck regulators in the ADP5052 include frequency foldback to prevent output current runaway when a hard short occurs on the output. Frequency foldback is implemented as follows:

- If the voltage at the FBx pin falls below half the target output voltage, the switching frequency is reduced by half.
- If the voltage at the FBx pin falls again to below one-fourth the target output voltage, the switching frequency is reduced to half its current value, that is, to one-fourth of f_{sw} .

The reduced switching frequency allows more time for the inductor current to decrease but also increases the ripple current during peak current regulation. This results in a reduction in average current and prevents output current runaway.

Pulse Skip Mode Under Maximum Duty Cycle

Under maximum duty cycle conditions, frequency foldback maintains the output in regulation. If the maximum duty cycle is reached—for example, when the input voltage decreases—the PWM modulator skips every other PWM pulse, resulting in a switching frequency foldback of one-half. If the duty cycle increases further, the PWM modulator skips two of every three PWM pulses, resulting in a switching frequency foldback to one-third of the switching frequency. Frequency foldback increases the effective maximum duty cycle, thereby decreasing the dropout voltage between the input and output voltages.

HICCUP PROTECTION

The buck regulators in the ADP5052 include a hiccup mode for overcurrent protection (OCP). When the peak inductor current reaches the current-limit threshold, the high-side MOSFET turns off and the low-side MOSFET turns on until the next cycle.

When hiccup mode is active, the overcurrent fault counter is incremented. If the overcurrent fault counter reaches 15 and overflows (indicating a short-circuit condition), both the high-side and low-side MOSFETs are turned off. The buck regulator remains in hiccup mode for a period equal to seven soft start cycles and then attempts to restart from soft start. If the short-circuit fault has cleared, the regulator resumes normal operation; otherwise, it reenters hiccup mode after the soft start.

Hiccup protection is masked during the initial soft start cycle to enable startup of the buck regulator under heavy load conditions. Note that careful design and proper component selection are required to ensure that the buck regulator recovers from hiccup mode under heavy loads. Hiccup protection can be enabled or disabled for all four buck regulators by factory fuse. When hiccup protection is disabled, the frequency foldback feature is still available for overcurrent protection.

LATCH-OFF PROTECTION

The buck regulators in the ADP5052 have an optional latch-off mode to protect the device from serious problems such as short-circuit and overvoltage conditions. Latch-off mode can be enabled by factory fuse.

Short-Circuit Latch-Off Mode

Short-circuit latch-off mode is enabled by factory fuse (on or off for all four buck regulators). When short-circuit latch-off mode is enabled and the protection circuit detects an overcurrent status after a soft start, the buck regulator enters hiccup mode and attempts to restart. If seven continuous restart attempts are made and the regulator remains in the fault condition, the regulator is shut down. This shutdown (latch-off) condition is cleared only by reenabling the channel or by resetting the channel power supply. Note that short-circuit latch-off mode does not work if hiccup protection is disabled.

Figure 46 shows the short-circuit latch-off detection function.

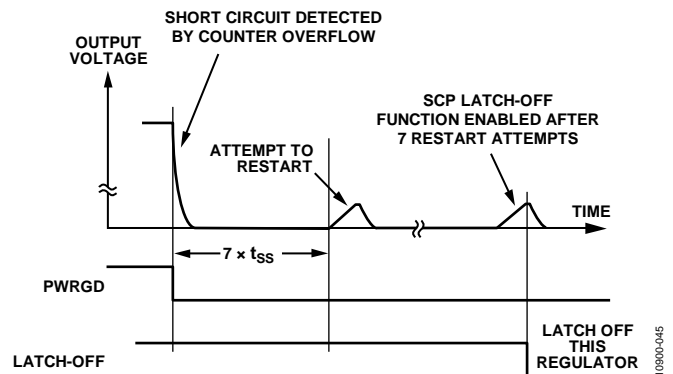


Figure 46. Short-Circuit Latch-Off Detection

Overvoltage Latch-Off Mode

Overvoltage latch-off mode is enabled by factory fuse (on or off for all four buck regulators). The overvoltage latch-off threshold is 124% of the nominal output voltage level. When the output voltage exceeds this threshold, the protection circuit detects the overvoltage status and the regulator shuts down. This shutdown (latch-off) condition is cleared only by reenabling the channel or by resetting the channel power supply.

Figure 47 shows the overvoltage latch-off detection function.

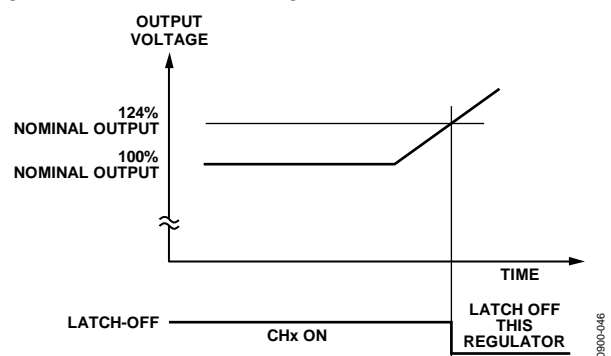


Figure 47. Overvoltage Latch-Off Detection

UNDERVOLTAGE LOCKOUT (UVLO)

Undervoltage lockout circuitry monitors the input voltage level of each buck regulator in the ADP5052. If any input voltage (PVINx pin) falls below 3.78 V (typical), the corresponding channel is turned off. After the input voltage rises above 4.2 V (typical), the soft start period is initiated, and the corresponding channel is enabled when the ENx pin is high.

Note that a UVLO condition on Channel 1 (PVIN1 pin) has a higher priority than a UVLO condition on other channels, which means that the PVIN1 supply must be available before other channels can be operated.

POWER-GOOD FUNCTION

The ADP5052 includes an open-drain power-good output (PWRGD pin) that becomes active high when the selected buck regulators are operating normally. By default, the PWRGD pin monitors the output voltage on Channel 1. Other channels can be configured to control the PWRGD pin when the ADP5052 is ordered (see Table 19).

A logic high on the PWRGD pin indicates that the regulated output voltage of the buck regulator is above 90.5% (typical) of its nominal output. When the regulated output voltage of the buck regulator falls below 87.2% (typical) of its nominal output for a delay time greater than approximately 50 μ s, the PWRGD pin goes low.

The output of the PWRGD pin is the logical AND of the internal PWRGx signals. An internal PWRGx signal must be high for a validation time of 1 ms before the PWRGD pin goes high; if one PWRGx signal fails, the PWRGD pin goes low with no delay. The channels that control the PWRGD pin (Channel 1 to Channel 4) can be specified by factory fuse. The default PWRGD setting is to monitor the output of Channel 1.

THERMAL SHUTDOWN

If the ADP5052 junction temperature exceeds 150°C, the thermal shutdown circuit turns off the IC except for the internal linear regulators. Extreme junction temperatures can be the result of high current operation, poor circuit board design, or high ambient temperature. A 15°C hysteresis is included so that the ADP5052 does not return to operation after thermal shutdown until the on-chip temperature falls below 135°C. When the part exits thermal shutdown, a soft start is initiated for each enabled channel.

LDO REGULATOR

The ADP5052 integrates a general-purpose LDO regulator with low quiescent current and low dropout voltage. The LDO regulator provides up to 200 mA of output current.

The LDO regulator operates with an input voltage of 1.7 V to 5.5 V. The wide supply range makes the regulator suitable for cascading configurations where the LDO supply voltage is provided from one of the buck regulators. The LDO output voltage is set using an external resistor divider (see Figure 48).

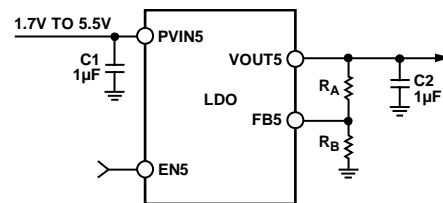


Figure 48. 200 mA LDO Regulator

The LDO regulator provides a high power supply rejection ratio (PSRR), low output noise, and excellent line and load transient response using small 1 μ F ceramic input and output capacitors.

APPLICATIONS INFORMATION

ADIsimPower DESIGN TOOL

The ADP5052 is supported by the ADIsimPower™ design tool set. ADIsimPower is a collection of tools that produce complete power designs optimized for a specific design goal. The tools enable the user to generate a full schematic and bill of materials and to calculate performance in minutes. ADIsimPower can optimize designs for cost, area, efficiency, and part count while taking into consideration the operating conditions and limitations of the IC and all real external components. The ADIsimPower tool can be found at www.analog.com/ADIsimPower; the user can request an unpopulated board through the tool.

PROGRAMMING THE ADJUSTABLE OUTPUT VOLTAGE

The output voltage of the ADP5052 is externally set by a resistive voltage divider from the output voltage to the FBx pin. To limit the degradation of the output voltage accuracy due to feedback bias current, ensure that the bottom resistor in the divider is not too large—a value of less than 50 kΩ is recommended.

The equation for the output voltage setting is

$$V_{OUT} = V_{REF} \times (1 + (R_{TOP}/R_{BOT}))$$

where:

V_{OUT} is the output voltage.

V_{REF} is the feedback reference voltage: 0.8 V for Channel 1 to Channel 4 and 0.5 V for Channel 5.

R_{TOP} is the feedback resistor from V_{OUT} to FB.

R_{BOT} is the feedback resistor from FB to ground.

No resistor divider is required in the fixed output options. If a different fixed output voltage is required, contact your local Analog Devices sales or distribution representative.

VOLTAGE CONVERSION LIMITATIONS

For a given input voltage, upper and lower limitations on the output voltage exist due to the minimum on time and the minimum off time.

The minimum output voltage for a given input voltage and switching frequency is limited by the minimum on time. The minimum on time for Channel 1 and Channel 2 is 117 ns (typical); the minimum on time for Channel 3 and Channel 4 is 90 ns (typical). The minimum on time increases at higher junction temperatures.

Note that in forced PWM mode, Channel 1 and Channel 2 can potentially exceed the nominal output voltage when the minimum on time limit is exceeded. Careful switching frequency selection is required to avoid this problem.

The minimum output voltage in continuous conduction mode (CCM) for a given input voltage and switching frequency can be calculated using the following equation:

$$V_{OUT_MIN} = V_{IN} \times t_{MIN_ON} \times f_{SW} - (R_{DSON1} - R_{DSON2}) \times I_{OUT_MIN} \times t_{MIN_ON} \times f_{SW} - (R_{DSON2} + R_L) \times I_{OUT_MIN} \quad (1)$$

where:

V_{OUT_MIN} is the minimum output voltage.

t_{MIN_ON} is the minimum on time.

f_{SW} is the switching frequency.

R_{DSON1} is the on resistance of the high-side MOSFET.

R_{DSON2} is the on resistance of the low-side MOSFET.

I_{OUT_MIN} is the minimum output current.

R_L is the resistance of the output inductor.

The maximum output voltage for a given input voltage and switching frequency is limited by the minimum off time and the maximum duty cycle. Note that the frequency foldback feature helps to increase the effective maximum duty cycle by lowering the switching frequency, thereby decreasing the dropout voltage between the input and output voltages (see the Frequency Foldback section).

The maximum output voltage for a given input voltage and switching frequency can be calculated using the following equation:

$$V_{OUT_MAX} = V_{IN} \times (1 - t_{MIN_OFF} \times f_{SW}) - (R_{DSON1} - R_{DSON2}) \times I_{OUT_MAX} \times (1 - t_{MIN_OFF} \times f_{SW}) - (R_{DSON2} + R_L) \times I_{OUT_MAX} \quad (2)$$

where:

V_{OUT_MAX} is the maximum output voltage.

t_{MIN_OFF} is the minimum off time.

f_{SW} is the switching frequency.

R_{DSON1} is the on resistance of the high-side MOSFET.

R_{DSON2} is the on resistance of the low-side MOSFET.

I_{OUT_MAX} is the maximum output current.

R_L is the resistance of the output inductor.

As shown in Equation 1 and Equation 2, reducing the switching frequency eases the minimum on time and off time limitations.

CURRENT-LIMIT SETTING

The ADP5052 has three selectable current-limit thresholds for Channel 1 and Channel 2. Make sure that the selected current-limit value is larger than the peak current of the inductor, I_{PEAK} . See Table 9 for the current-limit configuration for Channel 1 and Channel 2.

SOFT START SETTING

The buck regulators in the ADP5052 include soft start circuitry that ramps the output voltage in a controlled manner during startup, thereby limiting the inrush current. To set the soft start time to a value of 2 ms, 4 ms, or 8 ms, connect a resistor divider from the SS12 or SS34 pin to the VREG pin and ground (see the Soft Start section).

INDUCTOR SELECTION

The inductor value is determined by the switching frequency, input voltage, output voltage, and inductor ripple current. Using a small inductor value yields faster transient response but degrades efficiency due to the larger inductor ripple current. Using a large inductor value yields a smaller ripple current and better efficiency but results in slower transient response. Thus, a trade-off must be made between transient response and efficiency. As a guideline, the inductor ripple current, ΔI_L , is typically set to a value from 30% to 40% of the maximum load current. The inductor value can be calculated using the following equation:

$$L = [(V_{IN} - V_{OUT}) \times D] / (\Delta I_L \times f_{sw})$$

where:

V_{IN} is the input voltage.

V_{OUT} is the output voltage.

D is the duty cycle ($D = V_{OUT} / V_{IN}$).

ΔI_L is the inductor ripple current.

f_{sw} is the switching frequency.

The ADP5052 has internal slope compensation in the current loop to prevent subharmonic oscillations when the duty cycle is greater than 50%.

The peak inductor current is calculated using the following equation:

$$I_{PEAK} = I_{OUT} + (\Delta I_L / 2)$$

The saturation current of the inductor must be larger than the peak inductor current. For ferrite core inductors with a fast saturation characteristic, make sure that the saturation current rating of the inductor is higher than the current-limit threshold of the buck regulator to prevent the inductor from becoming saturated.

The rms current of the inductor can be calculated using the following equation:

$$I_{RMS} = \sqrt{I_{OUT}^2 + \frac{\Delta I_L^2}{12}}$$

Shielded ferrite core materials are recommended for low core loss and low EMI. Table 10 lists recommended inductors.

Table 10. Recommended Inductors

Vendor	Part No.	Value (μH)	I_{SAT} (A)	I_{RMS} (A)	DCR (m Ω)	Size (mm)
Coilcraft	XFL4020-102	1.0	5.4	11	10.8	4 × 4
	XFL4020-222	2.2	3.7	8.0	21.35	4 × 4
	XFL4020-332	3.3	2.9	5.2	34.8	4 × 4
	XFL4020-472	4.7	2.7	5.0	52.2	4 × 4
	XAL4030-682	6.8	3.6	3.9	67.4	4 × 4
	XAL4040-103	10	2.8	2.8	84	4 × 4
	XAL6030-102	1.0	23	18	5.62	6 × 6
	XAL6030-222	2.2	15.9	10	12.7	6 × 6
	XAL6030-332	3.3	12.2	8.0	19.92	6 × 6
	XAL6060-472	4.7	10.5	11	14.4	6 × 6
XAL6060-682	6.8	9.2	9.0	18.9	6 × 6	
TOKO	FDV0530-1R0	1.0	11.2	9.1	9.4	6.2 × 5.8
	FDV0530-2R2	2.2	7.1	7.0	17.3	6.2 × 5.8
	FDV0530-3R3	3.3	5.5	5.3	29.6	6.2 × 5.8
	FDV0530-4R7	4.7	4.6	4.2	46.6	6.2 × 5.8

OUTPUT CAPACITOR SELECTION

The selected output capacitor affects both the output voltage ripple and the loop dynamics of the regulator. For example, during load step transients on the output, when the load is suddenly increased, the output capacitor supplies the load until the control loop can ramp up the inductor current, causing an undershoot of the output voltage.

The output capacitance required to meet the undershoot (voltage droop) requirement can be calculated using the following equation:

$$C_{OUT_UV} = \frac{K_{UV} \times \Delta I_{STEP}^2 \times L}{2 \times (V_{IN} - V_{OUT}) \times \Delta V_{OUT_UV}}$$

where:

K_{UV} is a factor (typically set to 2).

ΔI_{STEP} is the load step.

ΔV_{OUT_UV} is the allowable undershoot on the output voltage.

Another example of the effect of the output capacitor on the loop dynamics of the regulator is when the load is suddenly removed from the output and the energy stored in the inductor rushes into the output capacitor, causing an overshoot of the output voltage.

The output capacitance required to meet the overshoot requirement can be calculated using the following equation:

$$C_{OUT_OV} = \frac{K_{OV} \times \Delta I_{STEP}^2 \times L}{(V_{OUT} + \Delta V_{OUT_OV})^2 - V_{OUT}^2}$$

where:

K_{OV} is a factor (typically set to 2).

ΔI_{STEP} is the load step.

ΔV_{OUT_OV} is the allowable overshoot on the output voltage.

The output voltage ripple is determined by the ESR of the output capacitor and its capacitance value. Use the following equations to select a capacitor that can meet the output ripple requirements:

$$C_{OUT_RIPPLE} = \frac{\Delta I_L}{8 \times f_{SW} \times \Delta V_{OUT_RIPPLE}}$$

$$R_{ESR} = \frac{\Delta V_{OUT_RIPPLE}}{\Delta I_L}$$

where:

ΔI_L is the inductor ripple current.

f_{SW} is the switching frequency.

ΔV_{OUT_RIPPLE} is the allowable output voltage ripple.

R_{ESR} is the equivalent series resistance of the output capacitor.

Select the largest output capacitance given by C_{OUT_UV} , C_{OUT_OV} , and C_{OUT_RIPPLE} to meet both load transient and output ripple requirements.

The voltage rating of the selected output capacitor must be greater than the output voltage. The minimum rms current rating of the output capacitor is determined by the following equation:

$$I_{C_{OUT_rms}} = \frac{\Delta I_L}{\sqrt{12}}$$

INPUT CAPACITOR SELECTION

The input decoupling capacitor attenuates high frequency noise on the input and acts as an energy reservoir. Use a ceramic capacitor and place it close to the PVINx pin. The loop composed of the input capacitor, the high-side NFET, and the low-side NFET must be kept as small as possible. The voltage rating of the input capacitor must be greater than the maximum input voltage. Make sure that the rms current rating of the input capacitor is larger than the following equation:

$$I_{C_{IN_rms}} = I_{OUT} \times \sqrt{D \times (1-D)}$$

where D is the duty cycle ($D = V_{OUT}/V_{IN}$).

LOW-SIDE POWER DEVICE SELECTION

Channel 1 and Channel 2 include integrated low-side MOSFET drivers, which can drive low-side N-channel MOSFETs (NFETs). The selection of the low-side N-channel MOSFET affects the performance of the buck regulator.

The selected MOSFET must meet the following requirements:

- Drain-to-source voltage (V_{DS}) must be higher than $1.2 \times V_{IN}$.
- Drain current (I_D) must be greater than $1.2 \times I_{LIMIT_MAX}$, where I_{LIMIT_MAX} is the selected maximum current-limit threshold.
- The selected MOSFET can be fully turned on at $V_{GS} = 4.5$ V.
- Total gate charge (Qg at $V_{GS} = 4.5$ V) must be less than 20 nC. Lower Qg characteristics provide higher efficiency.

When the high-side MOSFET is turned off, the low-side MOSFET supplies the inductor current. For low duty cycle applications, the low-side MOSFET supplies the current for most of the period. To achieve higher efficiency, it is important to select a MOSFET with low on resistance. The power conduction loss for the low-side MOSFET can be calculated using the following equation:

$$P_{FET_LOW} = I_{OUT}^2 \times R_{DS(on)} \times (1 - D)$$

where:

$R_{DS(on)}$ is the on resistance of the low-side MOSFET.

D is the duty cycle ($D = V_{OUT}/V_{IN}$).

Table 11 lists recommended dual MOSFETs for various current-limit settings. Ensure that the MOSFET can handle thermal dissipation due to power loss.

Table 11. Recommended Dual MOSFETs

Vendor	Part No.	V _{DS} (V)	I _D (A)	R _{DS(on)} (mΩ)	Qg (nC)	Size (mm)
IR	IRFHM8363	30	10	20.4	6.7	3 × 3
	IRLHS6276	20	3.4	45	3.1	2 × 2
Fairchild	FDMA1024	20	5.0	54	5.2	2 × 2
	FDMB3900	25	7.0	33	11	3 × 2
	FDMB3800	30	4.8	51	4	3 × 2
	FDC6401	20	3.0	70	3.3	3 × 3
Vishay	Si7228DN	30	23	25	4.1	3 × 3
	Si7232DN	20	25	16.4	12	3 × 3
	Si7904BDN	20	6	30	9	3 × 3
	Si5906DU	30	6	40	8	3 × 2
	Si5908DC	20	5.9	40	5	3 × 2
	SiA906EDJ	20	4.5	46	3.5	2 × 2
AOS	AON7804	30	22	26	7.5	3 × 3
	AON7826	20	22	26	6	3 × 3
	AO6800	30	3.4	70	4.7	3 × 3
	AON2800	20	4.5	47	4.1	2 × 2

PROGRAMMING THE UVLO INPUT

The precision enable input can be used to program the UVLO threshold of the input voltage, as shown in Figure 38. To limit the degradation of the input voltage accuracy due to the internal 1 MΩ pull-down resistor tolerance, ensure that the bottom resistor in the divider is not too large—a value of less than 50 kΩ is recommended.

The precision turn-on threshold is 0.8 V. The resistive voltage divider for the programmable V_{IN} start-up voltage is calculated as follows:

$$V_{IN_STARTUP} = (0.8 \text{ nA} + (0.8 \text{ V}/R_{BOT_EN})) \times (R_{TOP_EN} + R_{BOT_EN})$$

where:

R_{TOP_EN} is the resistor from V_{IN} to EN.

R_{BOT_EN} is the resistor from EN to ground.

COMPENSATION COMPONENTS DESIGN

For the peak current-mode control architecture, the power stage can be simplified as a voltage controlled current source that supplies current to the output capacitor and load resistor. The simplified loop is composed of one domain pole and a zero contributed by the output capacitor ESR. The control-to-output transfer function is shown in the following equations:

$$G_{vd}(s) = \frac{V_{OUT}(s)}{V_{COMP}(s)} = A_{VI} \times R \times \left(\frac{1 + \frac{s}{2 \times \pi \times f_z}}{1 + \frac{s}{2 \times \pi \times f_p}} \right)$$

$$f_z = \frac{1}{2 \times \pi \times R_{ESR} \times C_{OUT}}$$

$$f_p = \frac{1}{2 \times \pi \times (R + R_{ESR}) \times C_{OUT}}$$

where:

$A_{VI} = 10$ A/V for Channel 1 or Channel 2, and 3.33 A/V for Channel 3 or Channel 4.

R is the load resistance.

R_{ESR} is the equivalent series resistance of the output capacitor.

C_{OUT} is the output capacitance.

The ADP5052 uses a transconductance amplifier as the error amplifier to compensate the system. Figure 49 shows the simplified peak current-mode control small signal circuit.

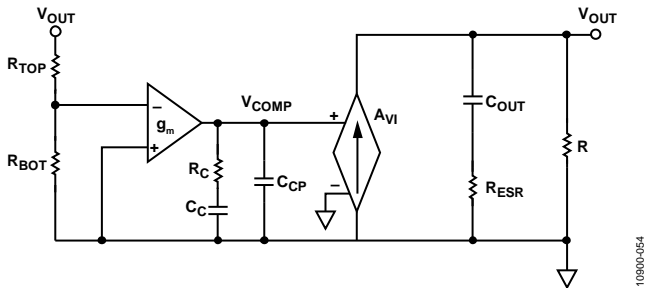


Figure 49. Simplified Peak Current-Mode Control Small Signal Circuit

The compensation components, R_C and C_C , contribute a zero; R_C and the optional C_{CP} contribute an optional pole.

The closed-loop transfer equation is as follows:

$$T_V(s) = \frac{R_{BOT}}{R_{BOT} + R_{TOP}} \times \frac{-g_m}{C_C + C_{CP}} \times \frac{1 + R_C \times C_C \times s}{s \times \left(1 + \frac{R_C \times C_C \times C_{CP} \times s}{C_C + C_{CP}} \right)} \times G_{vd}(s)$$

The following guidelines show how to select the compensation components— R_C , C_C , and C_{CP} —for ceramic output capacitor applications.

1. Determine the cross frequency (f_c). Generally, f_c is between $f_{SW}/12$ and $f_{SW}/6$.
2. Calculate R_C using the following equation:

$$R_C = \frac{2 \times \pi \times V_{OUT} \times C_{OUT} \times f_c}{0.8V \times g_m \times A_{VI}}$$

3. Place the compensation zero at the domain pole (f_p). Calculate C_C using the following equation:

$$C_C = \frac{(R + R_{ESR}) \times C_{OUT}}{R_C}$$

4. C_{CP} is optional. It can be used to cancel the zero caused by the ESR of the output capacitor. Calculate C_{CP} using the following equation:

$$C_{CP} = \frac{R_{ESR} \times C_{OUT}}{R_C}$$

POWER DISSIPATION

The total power dissipation in the ADP5052 simplifies to

$$P_D = P_{BUCK1} + P_{BUCK2} + P_{BUCK3} + P_{BUCK4} + P_{LDO}$$

Buck Regulator Power Dissipation

The power dissipation (P_{LOSS}) for each buck regulator includes power switch conduction losses (P_{COND}), switching losses (P_{SW}), and transition losses (P_{TRAN}). Other sources of power dissipation exist, but these sources are generally less significant at the high output currents of the application thermal limit.

Use the following equation to estimate the power dissipation of the buck regulator:

$$P_{LOSS} = P_{COND} + P_{SW} + P_{TRAN}$$

Power Switch Conduction Loss (P_{COND})

Power switch conduction losses are caused by the flow of output current through both the high-side and low-side power switches, each of which has its own internal on resistance ($R_{DS(ON)}$).

Use the following equation to estimate the power switch conduction loss:

$$P_{COND} = (R_{DS(ON)HS} \times D + R_{DS(ON)LS} \times (1 - D)) \times I_{OUT}^2$$

where:

$R_{DS(ON)HS}$ is the on resistance of the high-side MOSFET.

$R_{DS(ON)LS}$ is the on resistance of the low-side MOSFET.

D is the duty cycle ($D = V_{OUT}/V_{IN}$).

Switching Loss (P_{SW})

Switching losses are associated with the current drawn by the driver to turn the power devices on and off at the switching frequency. Each time a power device gate is turned on or off, the driver transfers a charge from the input supply to the gate, and then from the gate to ground. Use the following equation to estimate the switching loss:

$$P_{SW} = (C_{GATE_HS} + C_{GATE_LS}) \times V_{IN}^2 \times f_{SW}$$

where:

C_{GATE_HS} is the gate capacitance of the high-side MOSFET.

C_{GATE_LS} is the gate capacitance of the low-side MOSFET.

f_{SW} is the switching frequency.

Transition Loss (P_{TRAN})

Transition losses occur because the high-side MOSFET cannot turn on or off instantaneously. During a switch node transition, the MOSFET provides all the inductor current. The source-to-drain voltage of the MOSFET is half the input voltage, resulting in power loss. Transition losses increase with both load and input voltage and occur twice for each switching cycle. Use the following equation to estimate the transition loss:

$$P_{TRAN} = 0.5 \times V_{IN} \times I_{OUT} \times (t_R + t_F) \times f_{SW}$$

where:

t_R is the rise time of the switch node.

t_F is the fall time of the switch node.

Thermal Shutdown

Channel 1 and Channel 2 store the value of the inductor current only during the on time of the internal high-side MOSFET. Therefore, a small amount of power (as well as a small amount of input rms current) is dissipated inside the [ADP5052](#), which reduces thermal constraints.

However, when Channel 1 and Channel 2 are operating under maximum load with high ambient temperature and high duty cycle, the input rms current can become very large and cause the junction temperature to exceed the maximum junction temperature of 125°C. If the junction temperature exceeds 150°C, the regulator enters thermal shutdown and recovers when the junction temperature falls below 135°C.

LDO Regulator Power Dissipation

The power dissipation of the LDO regulator is given by the following equation:

$$P_{LDO} = [(V_{IN} - V_{OUT}) \times I_{OUT}] + (V_{IN} \times I_{GND})$$

where:

V_{IN} and V_{OUT} are the input and output voltages of the LDO regulator.

I_{OUT} is the load current of the LDO regulator.

I_{GND} is the ground current of the LDO regulator.

Power dissipation due to the ground current is small in the [ADP5052](#) and can be ignored.

JUNCTION TEMPERATURE

The junction temperature of the die is the sum of the ambient temperature of the environment and the temperature rise of the package due to power dissipation, as shown in the following equation:

$$T_J = T_A + T_R$$

where:

T_J is the junction temperature.

T_A is the ambient temperature.

T_R is the rise in temperature of the package due to power dissipation.

The rise in temperature of the package is directly proportional to the power dissipation in the package. The proportionality constant for this relationship is the thermal resistance from the junction of the die to the ambient temperature, as shown in the following equation:

$$T_R = \theta_{JA} \times P_D$$

where:

T_R is the rise in temperature of the package.

θ_{JA} is the thermal resistance from the junction of the die to the ambient temperature of the package (see Table 5).

P_D is the power dissipation in the package.

An important factor to consider is that the thermal resistance value is based on a 4-layer, 4 inch × 3 inch PCB with 2.5 oz. of copper, as specified in the JEDEC standard, whereas real-world applications may use PCBs with different dimensions and a different number of layers.

It is important to maximize the amount of copper used to remove heat from the device. Copper exposed to air dissipates heat better than copper used in the inner layers. Connect the exposed pad to the ground plane with several vias.

DESIGN EXAMPLE

This section provides an example of the step-by-step design procedures and the external components required for Channel 1. Table 12 lists the design requirements for this example.

Table 12. Example Design Requirements for Channel 1

Parameter	Specification
Input Voltage	$V_{PVIN1} = 12\text{ V} \pm 5\%$
Output Voltage	$V_{OUT1} = 1.2\text{ V}$
Output Current	$I_{OUT1} = 4\text{ A}$
Output Ripple	$\Delta V_{OUT1_RIPPLE} = 12\text{ mV}$ in CCM mode
Load Transient	$\pm 5\%$ at 20% to 80% load transient, $1\text{ A}/\mu\text{s}$

Although this example shows step-by-step design procedures for Channel 1, the procedures apply to all other buck regulator channels (Channel 2 to Channel 4).

SETTING THE SWITCHING FREQUENCY

The first step is to determine the switching frequency for the ADP5052 design. In general, higher switching frequencies produce a smaller solution size due to the lower component values required, whereas lower switching frequencies result in higher conversion efficiency due to lower switching losses.

The switching frequency of the ADP5052 can be set to a value from 250 kHz to 1.4 MHz by connecting a resistor from the RT pin to ground. The selected resistor allows the user to make decisions based on the trade-off between efficiency and solution size. (For more information, see the Oscillator section.) However, the highest supported switching frequency must be assessed by checking the voltage conversion limitations enforced by the minimum on time and the minimum off time (see the Voltage Conversion Limitations section).

In this design example, a switching frequency of 600 kHz is used to achieve a good combination of small solution size and high conversion efficiency. To set the switching frequency to 600 kHz, use the following equation to calculate the resistor value, R_{RT} :

$$R_{RT} (\text{k}\Omega) = [14,822/f_{sw} (\text{kHz})]^{1.081}$$

Therefore, select standard resistor $R_{RT} = 31.6\text{ k}\Omega$.

SETTING THE OUTPUT VOLTAGE

Select a $10\text{ k}\Omega$ bottom resistor (R_{BOT}) and then calculate the top feedback resistor using the following equation:

$$R_{BOT} = R_{TOP} \times (V_{REF}/(V_{OUT} - V_{REF}))$$

where:

V_{REF} is 0.8 V for Channel 1.

V_{OUT} is the output voltage.

To set the output voltage to 1.2 V, choose the following resistor values: $R_{TOP} = 4.99\text{ k}\Omega$, $R_{BOT} = 10\text{ k}\Omega$.

SETTING THE CURRENT LIMIT

For 4 A output current operation, the typical peak current limit is 6.44 A. For this example, choose $R_{LIM1} = 22\text{ k}\Omega$ (see Table 9). For more information, see the Current-Limit Protection section.

SELECTING THE INDUCTOR

The peak-to-peak inductor ripple current, ΔI_L , is set to 35% of the maximum output current. Use the following equation to estimate the value of the inductor:

$$L = [(V_{IN} - V_{OUT}) \times D]/(\Delta I_L \times f_{sw})$$

where:

$V_{IN} = 12\text{ V}$.

$V_{OUT} = 1.2\text{ V}$.

D is the duty cycle ($D = V_{OUT}/V_{IN} = 0.1$).

$\Delta I_L = 35\% \times 4\text{ A} = 1.4\text{ A}$.

$f_{sw} = 600\text{ kHz}$.

The resulting value for L is $1.28\text{ }\mu\text{H}$. The closest standard inductor value is $1.5\text{ }\mu\text{H}$; therefore, the inductor ripple current, ΔI_L , is 1.2 A .

The peak inductor current is calculated using the following equation:

$$I_{PEAK} = I_{OUT} + (\Delta I_L/2)$$

The calculated peak current for the inductor is 4.6 A .

The rms current of the inductor can be calculated using the following equation:

$$I_{RMS} = \sqrt{I_{OUT}^2 + \frac{\Delta I_L^2}{12}}$$

The rms current of the inductor is approximately 4.02 A .

Therefore, an inductor with a minimum rms current rating of 4.02 A and a minimum saturation current rating of 4.6 A is required. However, to prevent the inductor from reaching its saturation point in current-limit conditions, it is recommended that the inductor saturation current be higher than the maximum peak current limit, typically 7.48 A , for reliable operation.

Based on these requirements and recommendations, the TOKO FDV0530-1R5, with a DCR of $13.5\text{ m}\Omega$, is selected for this design.

SELECTING THE OUTPUT CAPACITOR

The output capacitor must meet the output voltage ripple and load transient requirements. To meet the output voltage ripple requirement, use the following equations to calculate the ESR and capacitance:

$$C_{OUT_RIPPLE} = \frac{\Delta I_L}{8 \times f_{SW} \times \Delta V_{OUT_RIPPLE}}$$

$$R_{ESR} = \frac{\Delta V_{OUT_RIPPLE}}{\Delta I_L}$$

The calculated capacitance, C_{OUT_RIPPLE} , is 20.8 μF , and the calculated R_{ESR} is 10 $\text{m}\Omega$.

To meet the $\pm 5\%$ overshoot and undershoot requirements, use the following equations to calculate the capacitance:

$$C_{OUT_UV} = \frac{K_{UV} \times \Delta I_{STEP}^2 \times L}{2 \times (V_{IN} - V_{OUT}) \times \Delta V_{OUT_UV}}$$

$$C_{OUT_OV} = \frac{K_{OV} \times \Delta I_{STEP}^2 \times L}{(V_{OUT} + \Delta V_{OUT_OV})^2 - V_{OUT}^2}$$

For estimation purposes, use $K_{OV} = K_{UV} = 2$; therefore, $C_{OUT_OV} = 117 \mu\text{F}$ and $C_{OUT_UV} = 13.3 \mu\text{F}$.

The ESR of the output capacitor must be less than 13.3 $\text{m}\Omega$, and the output capacitance must be greater than 117 μF . It is recommended that three ceramic capacitors be used (47 μF , X5R, 6.3 V), such as the GRM21BR60J476ME15 from Murata with an ESR of 2 $\text{m}\Omega$.

SELECTING THE LOW-SIDE MOSFET

A low $R_{DS(on)}$ N-channel MOSFET must be selected for high efficiency solutions. The MOSFET breakdown voltage (V_{DS}) must be greater than $1.2 \times V_{IN}$, and the drain current must be greater than $1.2 \times I_{LIMIT_MAX}$.

It is recommended that a 20 V, dual N-channel MOSFET—such as the Si7232DN from Vishay—be used for both Channel 1 and Channel 2. The $R_{DS(on)}$ of the Si7232DN at 4.5 V driver voltage is 16.4 $\text{m}\Omega$, and the total gate charge is 12 nC.

DESIGNING THE COMPENSATION NETWORK

For better load transient and stability performance, set the cross frequency, f_c , to $f_{SW}/10$. In this example, f_{SW} is set to 600 kHz; therefore, f_c is set to 60 kHz.

For the 1.2 V output rail, the 47 μF ceramic output capacitor has a derated value of 40 μF .

$$R_C = \frac{2 \times \pi \times 1.2 \text{ V} \times 3 \times 40 \mu\text{F} \times 60 \text{ kHz}}{0.8 \text{ V} \times 470 \mu\text{S} \times 10 \text{ A/V}} = 14.4 \text{ k}\Omega$$

$$C_C = \frac{(0.3 \Omega + 0.001 \Omega) \times 3 \times 40 \mu\text{F}}{14.4 \text{ k}\Omega} = 2.51 \text{ nF}$$

$$C_{CP} = \frac{0.001 \Omega \times 3 \times 40 \mu\text{F}}{14.4 \text{ k}\Omega} = 8.3 \text{ pF}$$

Choose standard components: $R_C = 15 \text{ k}\Omega$ and $C_C = 2.7 \text{ nF}$. C_{CP} is optional.

Figure 50 shows the Bode plot for the 1.2 V output rail. The cross frequency is 62 kHz, and the phase margin is 58°. Figure 51 shows the load transient waveform.

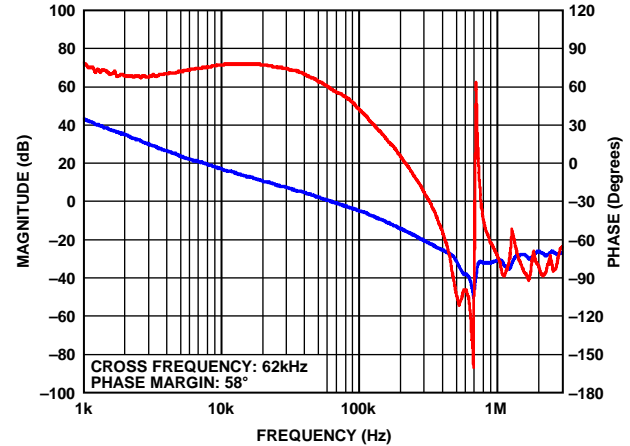


Figure 50. Bode Plot for 1.2 V Output

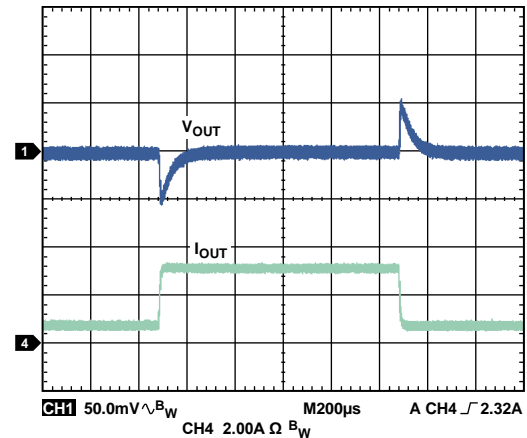


Figure 51. 0.8 A to 3.2 A Load Transient for 1.2 V Output

SELECTING THE SOFT START TIME

The soft start feature allows the output voltage to ramp up in a controlled manner, eliminating output voltage overshoot during soft start and limiting the inrush current.

The SS12 pin can be used to program a soft start time of 2 ms, 4 ms, or 8 ms and can also be used to configure parallel operation of Channel 1 and Channel 2. For more information, see the Soft Start section and Table 8.

SELECTING THE INPUT CAPACITOR

For the input capacitor, select a ceramic capacitor with a minimum value of 10 μF ; place the input capacitor close to the PVIN1 pin. In this example, one 10 μF , X5R, 25 V ceramic capacitor is recommended.

RECOMMENDED EXTERNAL COMPONENTS

Table 13 lists the recommended external components for 4 A applications used with Channel 1 and Channel 2 of the ADP5052.

Table 14 lists the recommended external components for 1.2 A applications used with Channel 3 and Channel 4.

Table 13. Recommended External Components for Typical 4 A Applications, Channel 1 and Channel 2
(±1% Output Ripple, ±7.5% Tolerance at ~60% Step Transient)

f _{sw} (kHz)	I _{OUT} (A)	V _{IN} (V)	V _{OUT} (V)	L (μH)	C _{OUT} (μF)	R _{TOP} (kΩ)	R _{BOT} (kΩ)	R _C (kΩ)	C _C (pF)	Dual FET
300	4	12 (or 5)	1.2	3.3	2 × 100 ¹	4.99	10	10	4700	Si7232DN
		12 (or 5)	1.5	3.3	2 × 100 ¹	8.87	10.2	10	4700	Si7232DN
		12 (or 5)	1.8	3.3	3 × 47 ²	12.7	10.2	6.81	4700	Si7232DN
		12 (or 5)	2.5	4.7	3 × 47 ²	21.5	10.2	10	4700	Si7232DN
		12 (or 5)	3.3	6.8	3 × 47 ²	31.6	10.2	10	4700	Si7232DN
		12	5.0	6.8	47 ³	52.3	10	4.7	4700	Si7232DN
600	4	12 (or 5)	1.2	1.5	2 × 47 ²	4.99	10	10	2700	Si7232DN
		12 (or 5)	1.5	1.5	2 × 47 ²	8.87	10.2	10	2700	Si7232DN
		12 (or 5)	1.8	2.2	2 × 47 ²	12.7	10.2	10	2700	Si7232DN
		12 (or 5)	2.5	2.2	2 × 47 ²	21.5	10.2	10	2700	Si7232DN
		12 (or 5)	3.3	3.3	2 × 47 ²	31.6	10.2	15	2700	Si7232DN
		12	5.0	3.3	47 ³	52.3	10	10	2700	Si7232DN
1000	4	5	1.2	1.0	2 × 47 ²	4.99	10	15	1500	Si7232DN
		5	1.5	1.0	2 × 47 ²	8.87	10.2	15	1500	Si7232DN
		12 (or 5)	1.8	1.0	47 ²	12.7	10.2	10	1500	Si7232DN
		12 (or 5)	2.5	1.5	47 ²	21.5	10.2	10	1500	Si7232DN
		12 (or 5)	3.3	1.5	47 ²	31.6	10.2	10	1500	Si7232DN
		12	5.0	2.2	47 ³	52.3	10	15	1500	Si7232DN

¹ 100 μF capacitor: Murata GRM31CR60J107ME39 (6.3 V, X5R, 1206).

² 47 μF capacitor: Murata GRM21BR60J476ME15 (6.3 V, X5R, 0805).

³ 47 μF capacitor: Murata GRM31CR61A476ME15 (10 V, X5R, 1206).

Table 14. Recommended External Components for Typical 1.2 A Applications, Channel 3 and Channel 4
(±1% Output Ripple, ±7.5% Tolerance at ~60% Step Transient)

f _{sw} (kHz)	I _{OUT} (A)	V _{IN} (V)	V _{OUT} (V)	L (μH)	C _{OUT} (μF)	R _{TOP} (kΩ)	R _{BOT} (kΩ)	R _C (kΩ)	C _C (pF)
300	1.2	12 (or 5)	1.2	10	2 × 22 ¹	4.99	10	6.81	4700
		12 (or 5)	1.5	10	2 × 22 ¹	8.87	10.2	6.81	4700
		12 (or 5)	1.8	15	2 × 22 ¹	12.7	10.2	6.81	4700
		12 (or 5)	2.5	15	2 × 22 ¹	21.5	10.2	6.81	4700
		12 (or 5)	3.3	22	2 × 22 ¹	31.6	10.2	6.81	4700
		12	5.0	22	22 ²	52.3	10	6.81	4700
600	1.2	12 (or 5)	1.2	4.7	22 ¹	4.99	10	6.81	2700
		12 (or 5)	1.5	6.8	22 ¹	8.87	10.2	6.81	2700
		12 (or 5)	1.8	6.8	22 ¹	12.7	10.2	6.81	2700
		12 (or 5)	2.5	10	22 ¹	21.5	10.2	6.81	2700
		12 (or 5)	3.3	10	22 ¹	31.6	10.2	6.81	2700
		12	5.0	10	22 ²	52.3	10	6.81	2700
1000	1.2	5	1.2	2.2	22 ¹	4.99	10	10	1800
		12 (or 5)	1.5	3.3	22 ¹	8.87	10.2	10	1800
		12 (or 5)	1.8	4.7	22 ¹	12.7	10.2	10	1800
		12 (or 5)	2.5	4.7	22 ¹	21.5	10.2	10	1800
		12 (or 5)	3.3	6.8	22 ¹	31.6	10.2	10	1800
		12	5.0	6.8	22 ²	52.3	10	15	1800

¹ 22 μF capacitor: Murata GRM188R60J226MEA0 (6.3 V, X5R, 0603).

² 22 μF capacitor: Murata GRM219R61A226MEA0 (10 V, X5R, 0805).

CIRCUIT BOARD LAYOUT RECOMMENDATIONS

Good circuit board layout is essential to obtain the best performance from the ADP5052 (see Figure 53). Poor layout can affect the regulation and stability of the part, as well as the electromagnetic interference (EMI) and electromagnetic compatibility (EMC) performance. Refer to the following guidelines for a good PCB layout.

- Place the input capacitor, inductor, MOSFET, output capacitor, and bootstrap capacitor close to the IC.
- Use short, thick traces to connect the input capacitors to the PVINx pins, and use dedicated power ground to connect the input and output capacitor grounds to minimize the connection length.
- Use several high current vias, if required, to connect PVINx, PGNDx, and SWx to other power planes.
- Use short, thick traces to connect the inductors to the SWx pins and the output capacitors.
- Ensure that the high current loop traces are as short and wide as possible. Figure 52 shows the high current path.
- Maximize the amount of ground metal for the exposed pad, and use as many vias as possible on the component side to improve thermal dissipation.

- Use a ground plane with several vias connecting to the component side ground to further reduce noise interference on sensitive circuit nodes.
- Place the decoupling capacitors close to the VREG and VDD pins.
- Place the frequency setting resistor close to the RT pin.
- Place the feedback resistor divider close to the FBx pin. In addition, keep the FBx traces away from the high current traces and the switch node to avoid noise pickup.
- Use Size 0402 or 0603 resistors and capacitors to achieve the smallest possible footprint solution on boards where space is limited.

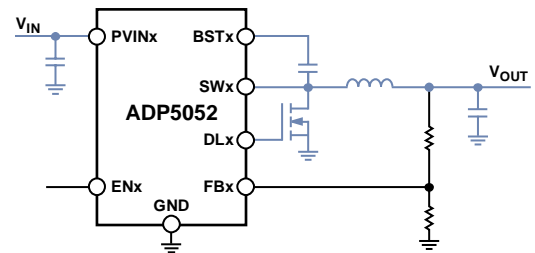


Figure 52. Typical Circuit with High Current Traces Shown in Blue

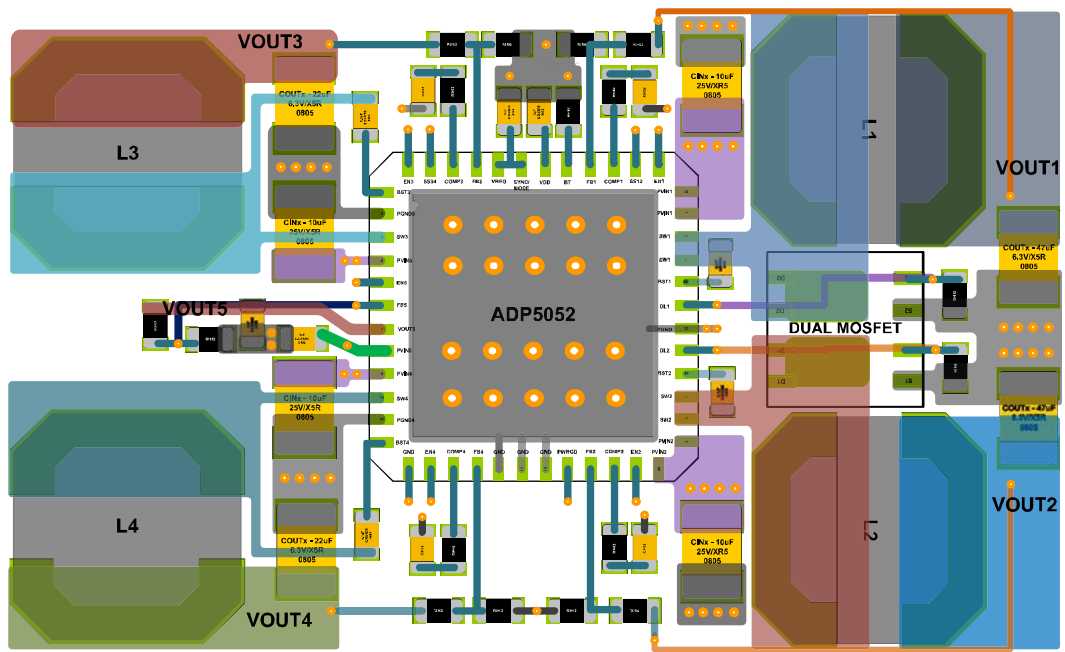


Figure 53. Typical PCB Layout for the ADP5052

TYPICAL APPLICATION CIRCUITS

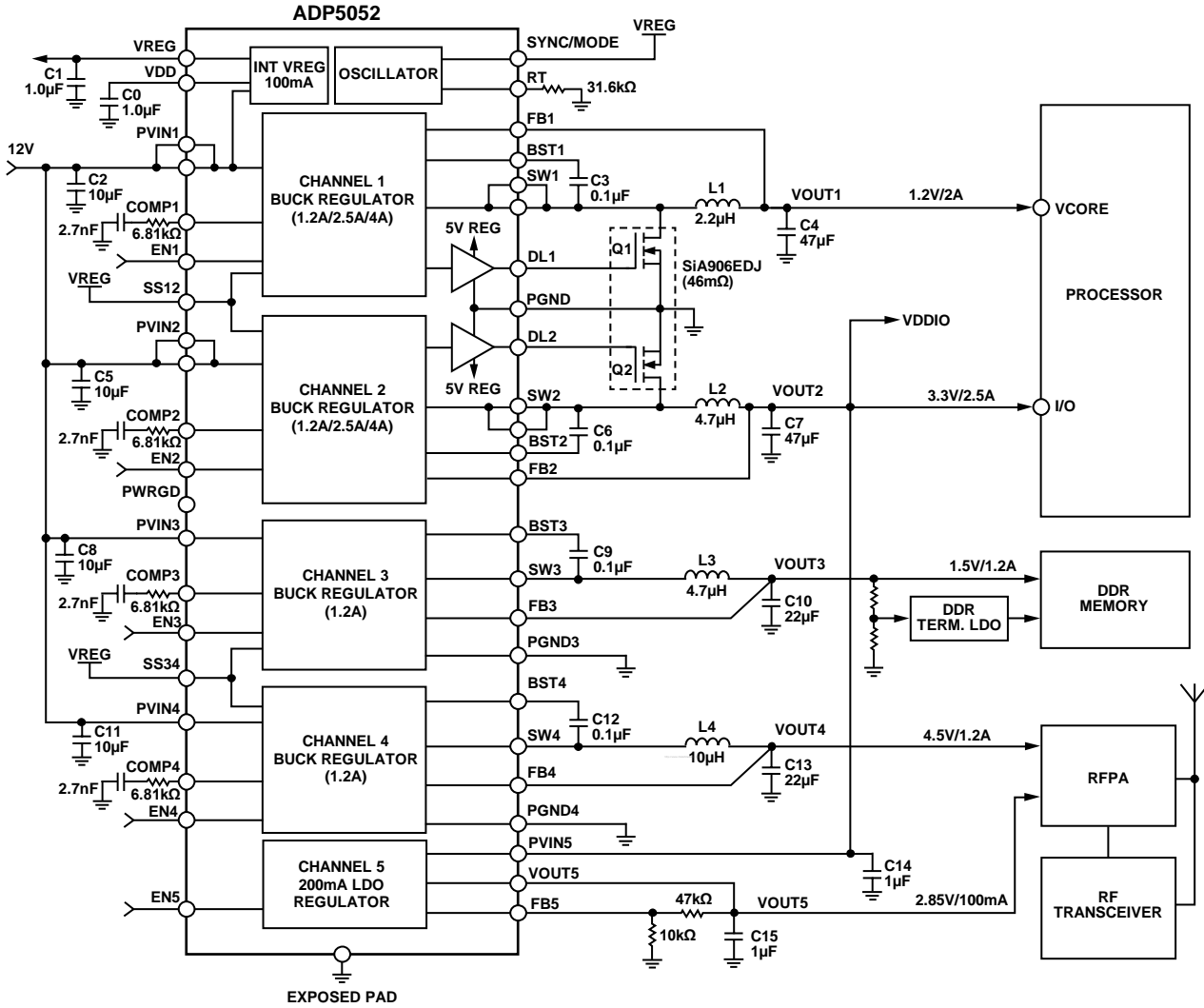


Figure 54. Typical Femtocell Application, 600 kHz Switching Frequency, Fixed Output Model

10900-056

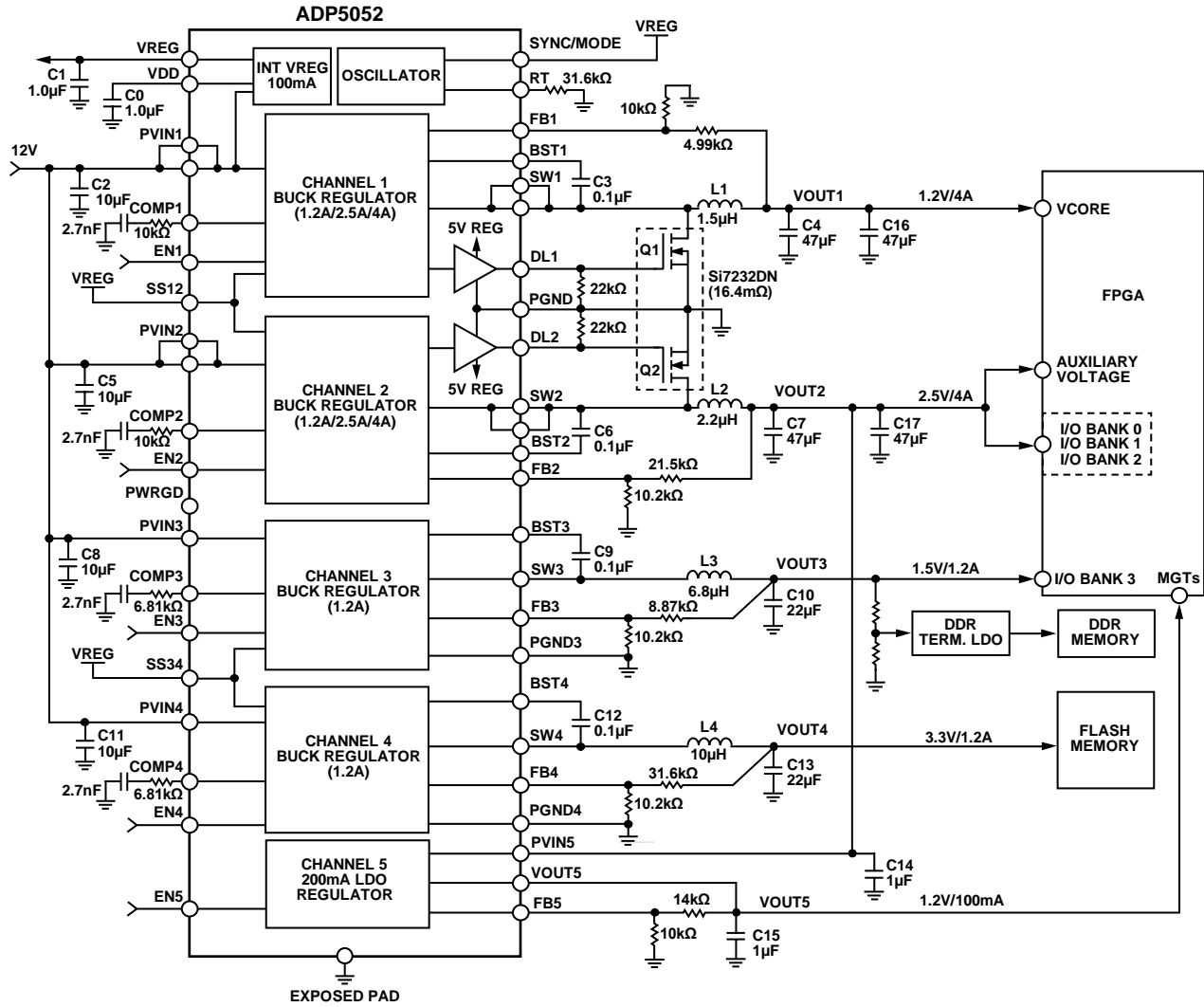


Figure 55. Typical FPGA Application, 600 kHz Switching Frequency, Adjustable Output Model

10900-057

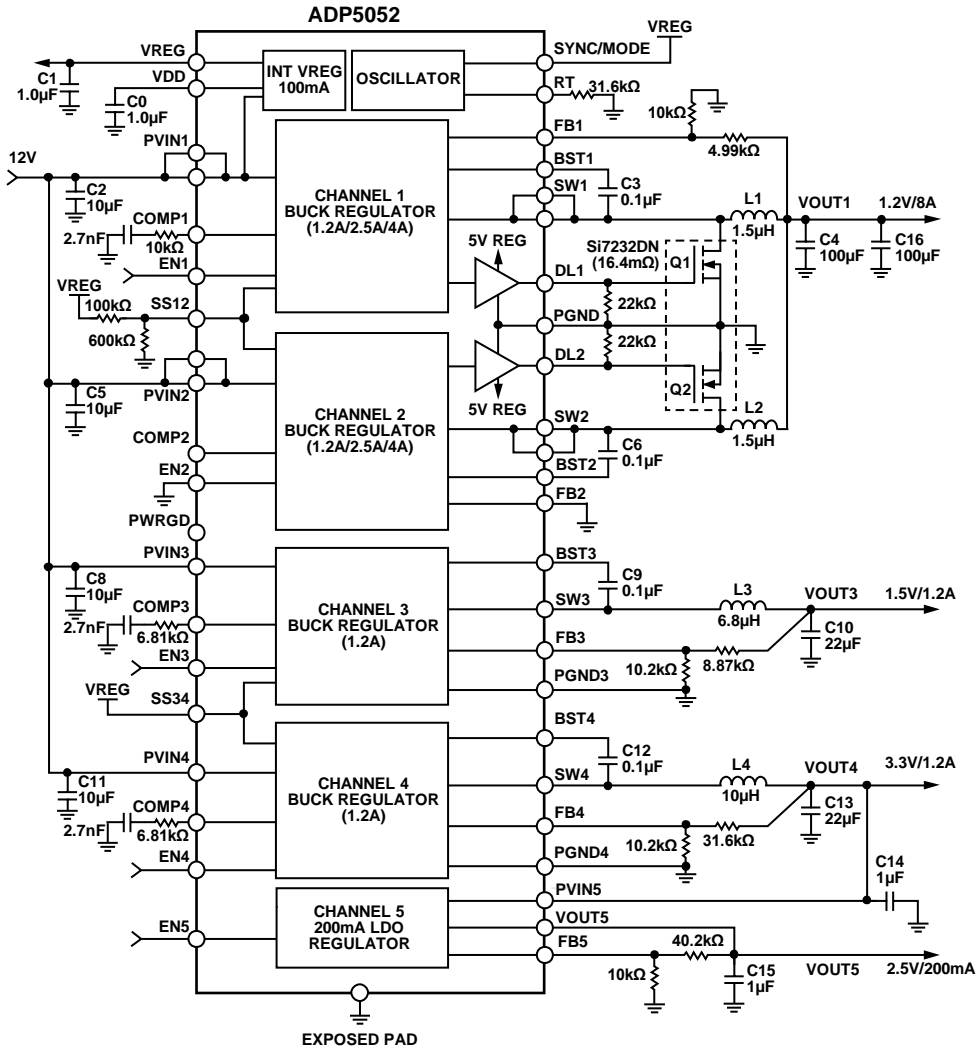


Figure 56. Typical Channel 1/Channel 2 Parallel Output Application, 600 kHz Switching Frequency, Adjustable Output Model

10900-165

FACTORY PROGRAMMABLE OPTIONS

Table 15 through Table 26 list the options that can be programmed into the [ADP5052](#) when it is ordered from Analog Devices. For a list of the default options, see Table 27. To order a device with options other than the default options, contact your local Analog Devices sales or distribution representative.

Table 15. Output Voltage Options for Channel 1 (Fixed Output Options: 0.85 V to 1.6 V in 25 mV Increments)

Option	Description
Option 0	0.8 V adjustable output (default)
Option 1	0.85 V fixed output
Option 2	0.875 V fixed output
...	...
Option 30	1.575 V fixed output
Option 31	1.6 V fixed output

Table 16. Output Voltage Options for Channel 2 (Fixed Output Options: 3.3 V to 5.0 V in 300 mV/200 mV Increments)

Option	Description
Option 0	0.8 V adjustable output (default)
Option 1	3.3 V fixed output
Option 2	3.6 V fixed output
Option 3	3.9 V fixed output
Option 4	4.2 V fixed output
Option 5	4.5 V fixed output
Option 6	4.8 V fixed output
Option 7	5.0 V fixed output

Table 17. Output Voltage Options for Channel 3 (Fixed Output Options: 1.2 V to 1.8 V in 100 mV Increments)

Option	Description
Option 0	0.8 V adjustable output (default)
Option 1	1.2 V fixed output
Option 2	1.3 V fixed output
Option 3	1.4 V fixed output
Option 4	1.5 V fixed output
Option 5	1.6 V fixed output
Option 6	1.7 V fixed output
Option 7	1.8 V fixed output

Table 18. Output Voltage Options for Channel 4 (Fixed Output Options: 2.5 V to 5.5 V in 100 mV Increments)

Option	Description
Option 0	0.8 V adjustable output (default)
Option 1	2.5 V fixed output
Option 2	2.6 V fixed output
...	...
Option 30	5.4 V fixed output
Option 31	5.5 V fixed output

Table 19. PWRGD Output Options

Option	Description
Option 0	No monitoring of any channel
Option 1	Monitor Channel 1 output (default)
Option 2	Monitor Channel 2 output
Option 3	Monitor Channel 1 and Channel 2 outputs
Option 4	Monitor Channel 3 output
Option 5	Monitor Channel 1 and Channel 3 outputs
Option 6	Monitor Channel 2 and Channel 3 outputs
Option 7	Monitor Channel 1, Channel 2, and Channel 3 outputs
Option 8	Monitor Channel 4 output
Option 9	Monitor Channel 1 and Channel 4 outputs
Option 10	Monitor Channel 2 and Channel 4 outputs
Option 11	Monitor Channel 1, Channel 2, and Channel 4 outputs
Option 12	Monitor Channel 3 and Channel 4 outputs
Option 13	Monitor Channel 1, Channel 3, and Channel 4 outputs
Option 14	Monitor Channel 2, Channel 3, and Channel 4 outputs
Option 15	Monitor Channel 1, Channel 2, Channel 3, and Channel 4 outputs

Table 20. Output Discharge Functionality Options

Option	Description
Option 0	Output discharge function disabled for all four buck regulators
Option 1	Output discharge function enabled for all four buck regulators (default)

Table 21. Switching Frequency Options for Channel 1

Option	Description
Option 0	1 × switching frequency set by the RT pin (default)
Option 1	½ × switching frequency set by the RT pin

Table 22. Switching Frequency Options for Channel 3

Option	Description
Option 0	1 × switching frequency set by the RT pin (default)
Option 1	½ × switching frequency set by the RT pin

Table 23. Pin 43—SYNC/MODE Pin Options

Option	Description
Option 0	Forced PWM/automatic PWM/PSM mode setting with the ability to synchronize to an external clock
Option 1	Generate a clock signal equal to the master frequency set by the RT pin

Table 24. Hiccup Protection Options for the Four Buck Regulators

Option	Description
Option 0	Hiccup protection enabled for overcurrent events (default)
Option 1	Hiccup protection disabled; frequency foldback protection only for overcurrent events

Table 25. Short-Circuit Latch-Off Options for the Four Buck Regulators

Option	Description
Option 0	Latch-off function disabled for output short-circuit events (default)
Option 1	Latch-off function enabled for output short-circuit events

Table 26. Overvoltage Latch-Off Options for the Four Buck Regulators

Option	Description
Option 0	Latch-off function disabled for output overvoltage events (default)
Option 1	Latch-off function enabled for output overvoltage events

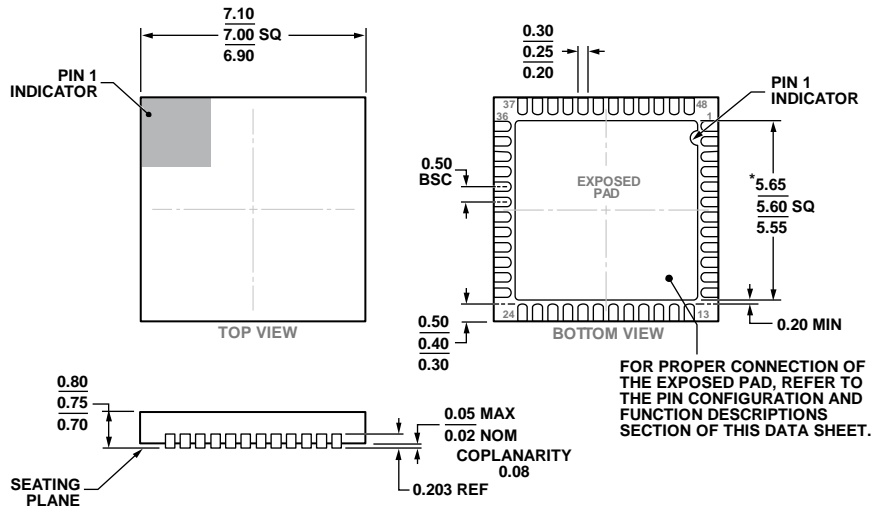
FACTORY DEFAULT OPTIONS

Table 27 lists the factory default options programmed into the [ADP5052](#) when the device is ordered (see the Ordering Guide). To order the device with options other than the default options, contact your local Analog Devices sales or distribution representative. Table 15 through Table 26 list all available options for the device.

Table 27. Factory Default Options

Option	Default Value
Channel 1 output voltage	0.8 V adjustable output
Channel 2 output voltage	0.8 V adjustable output
Channel 3 output voltage	0.8 V adjustable output
Channel 4 output voltage	0.8 V adjustable output
PWRGD pin (Pin 20) output	Monitor Channel 1 output
Output discharge function	Enabled for all four buck regulators
Switching frequency on Channel 1	1 × switching frequency set by the RT pin
Switching frequency on Channel 3	1 × switching frequency set by the RT pin
SYNC/MODE pin (Pin 43) function	Forced PWM/automatic PWM/PSM mode setting with the ability to synchronize to an external clock
Hiccup protection	Enabled for overcurrent events
Short-circuit latch-off function	Disabled for output short-circuit events
Overvoltage latch-off function	Disabled for output overvoltage events

OUTLINE DIMENSIONS



*COMPLIANT TO JEDEC STANDARDS MO-220-WKGD-2 WITH THE EXCEPTION OF THE EXPOSED PAD DIMENSION.

Figure 57. 48-Lead Lead Frame Chip Scale Package [LFCSP_WQ]
 7 mm × 7 mm Body, Very Very Thin Quad
 (CP-48-13)
 Dimensions shown in millimeters

04-26-2013-C

ORDERING GUIDE

Model ¹	Temperature Range	Package Description	Package Option ²
ADP5052ACPZ-R7	-40°C to +125°C	48-Lead Lead Frame Chip Scale Package [LFCSP_WQ]	CP-48-13
ADP5052-EVALZ		Evaluation Board	

¹ Z = RoHS Compliant Part.

² Table 27 lists the factory default options for the device. For a list of factory programmable options, see the Factory Programmable Options section. To order a device with options other than the default options, contact your local Analog Devices sales or distribution representative.

NOTES

NOTES